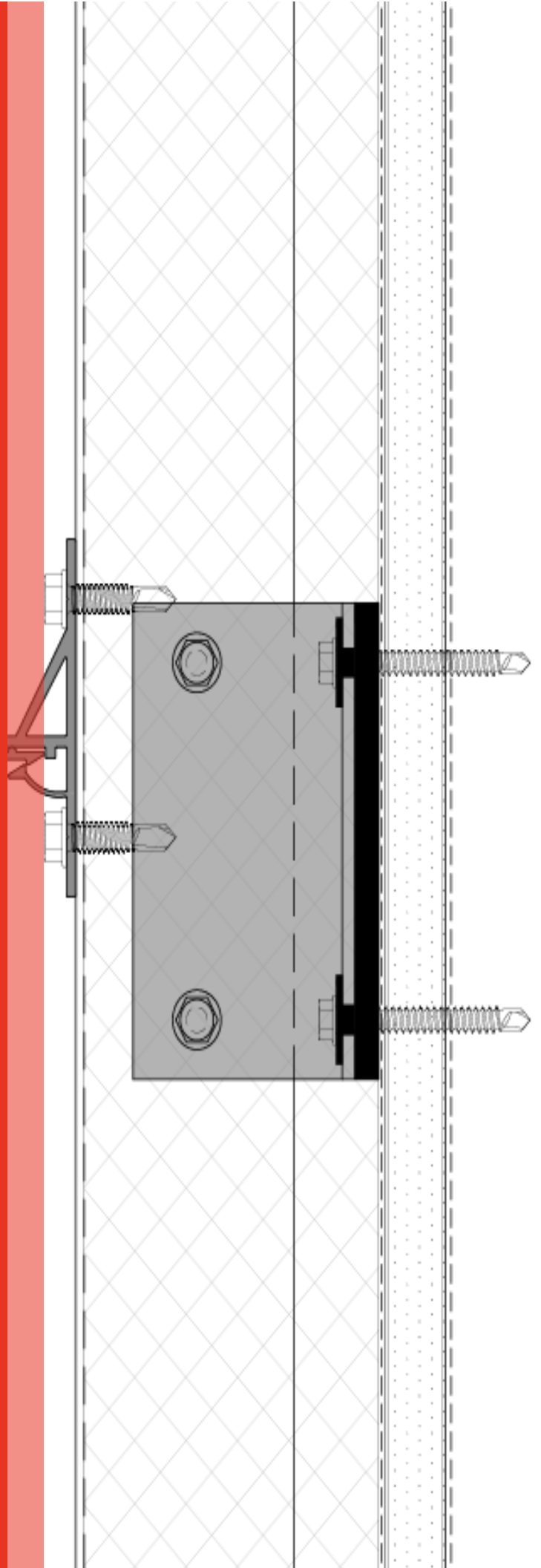


2023 Product Catalog


gridworxwalls.com



GRIDWORX
STONE MASONRY
PRECISION WALL SYSTEMS
10840 ALDRICH CIRCLE
DALLAS, TEXAS 75244
TEL: 214.771.1100
FAX: 214.432.1100

ARCHITECT: _____
TEL: _____
FAX: _____

THERMALLY BROKEN SUBFRAME

KEY: _____
SYSTEM: _____

DATE: _____

NOTES: _____

SCALE: _____

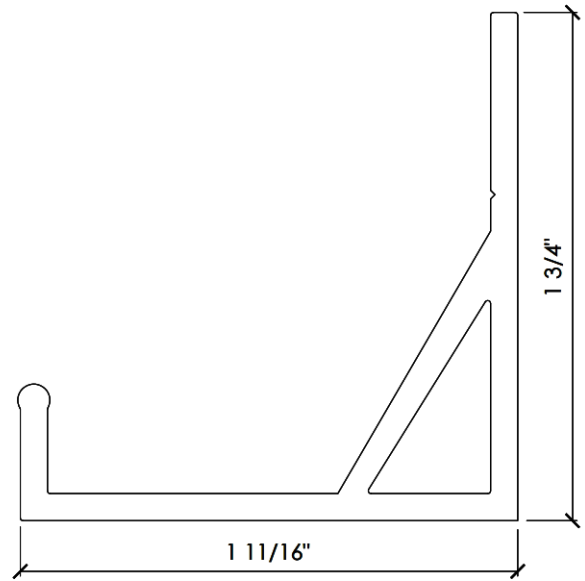
TITLE: _____

SHEET: _____

001

Starter J Course Anchor

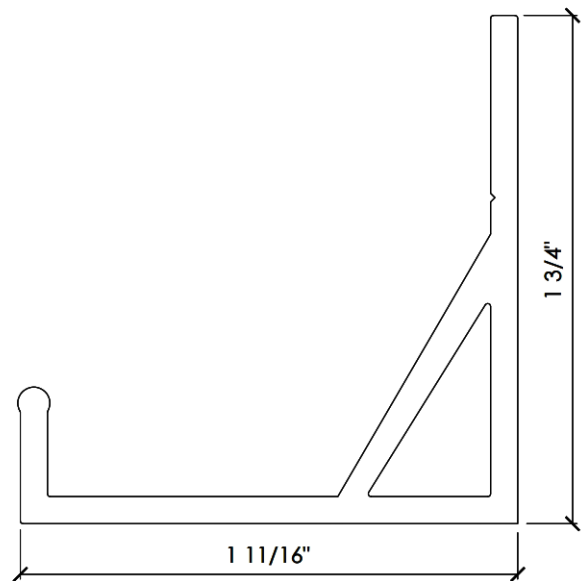
Length: 12'-0"



001B

Starter J Course Anchor Black

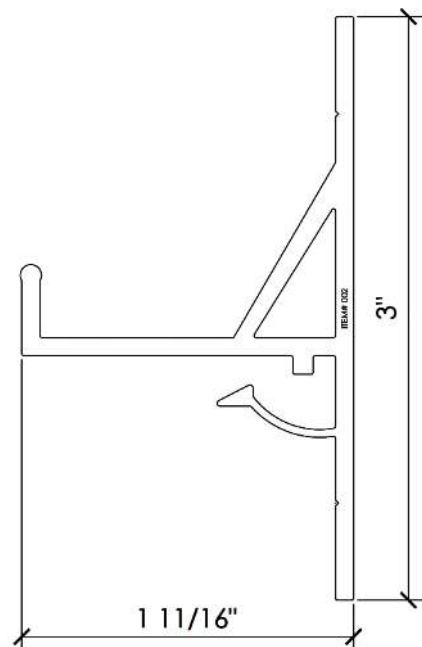
Length: 12'-0"



002

Intermediate T Anchor

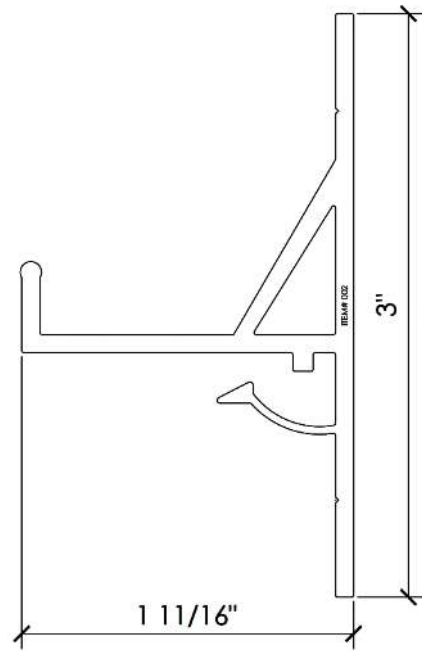
Length: 12'-0"



002B

Intermediate T Anchor Black

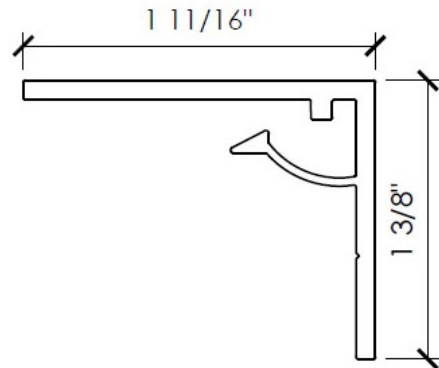
Length: 12'-0"



003

Top Course J Anchor

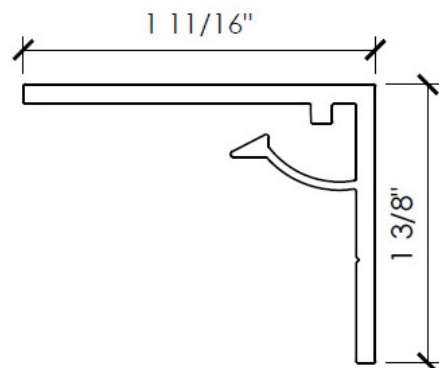
Length: 12'-0"



003B

Top Course J Anchor Black

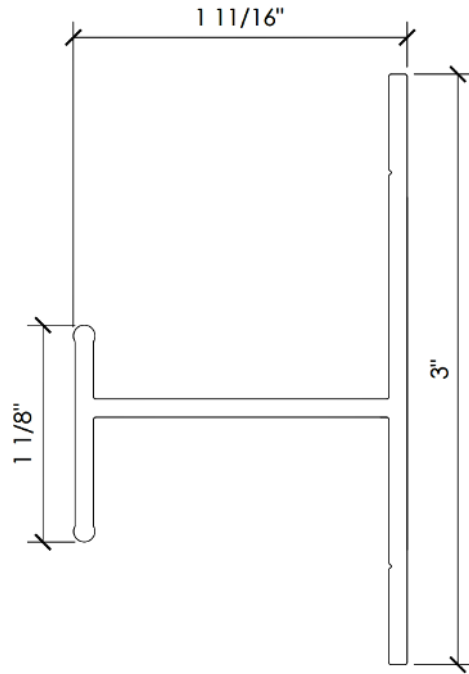
Length: 12'-0"



004

Standard T Anchor

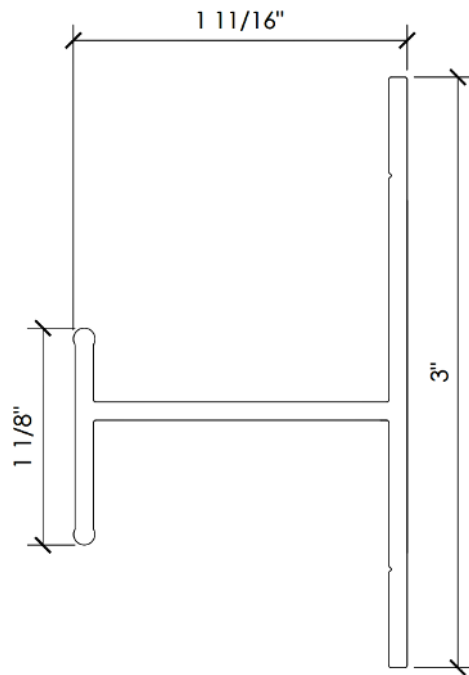
Length: 12'-0"



004B

Standard T Anchor Black

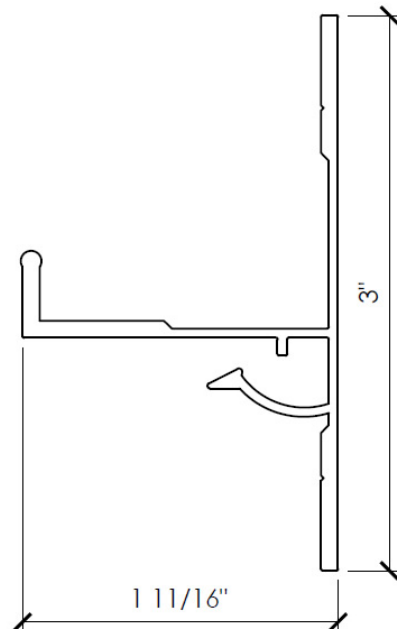
Length: 12'-0"



052

Moderate Intermediate T

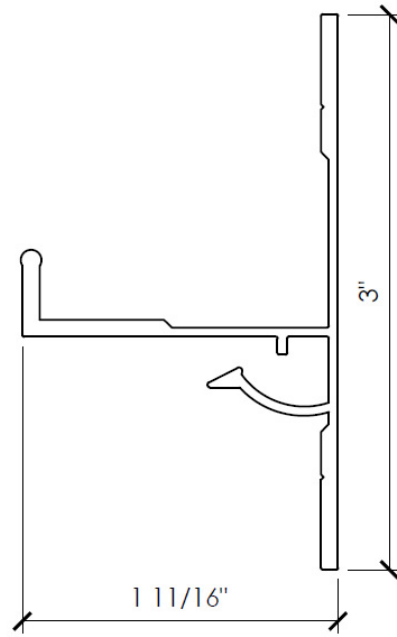
Length: 12'-0"



052B

Moderate Intermediate T Black

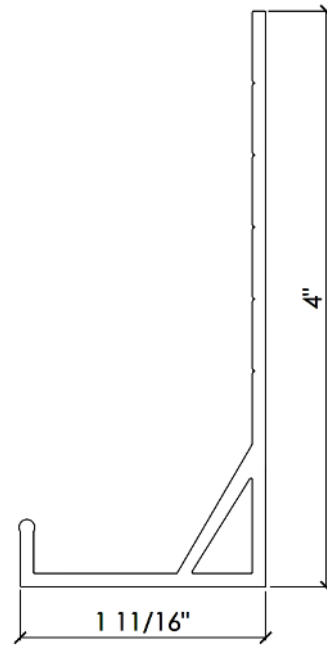
Length: 12'-0"



101

Ext. Backplate Starter J

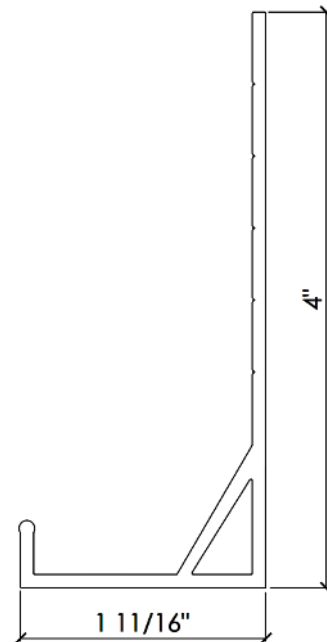
Length: 12'-0"



101B

Ext. Backplate Starter J Black

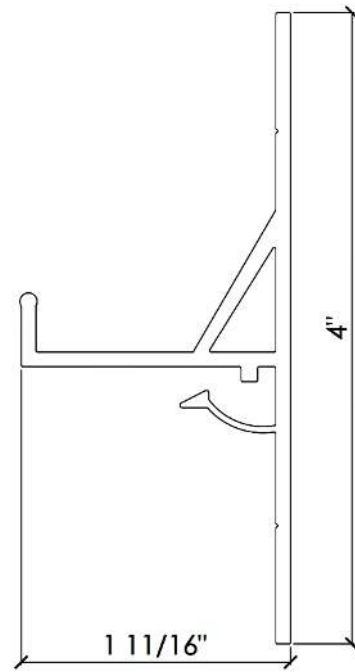
Length: 12'-0"



102

Ext. Backplate Intermediate T

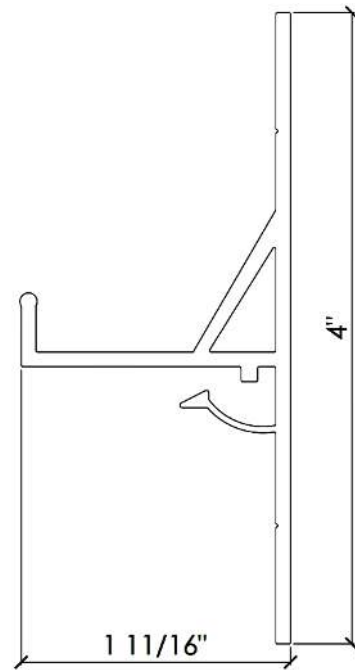
Length: 12'-0"



102B

Ext. Backplate Intermediate T Black

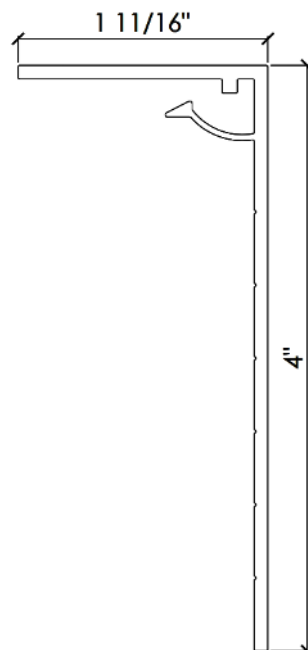
Length: 12'-0"



103

Ext. Backplate Top J

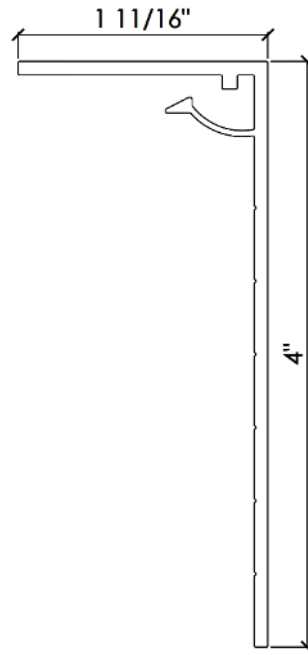
Length: 12'-0"



103B

Ext. Backplate Top J Black

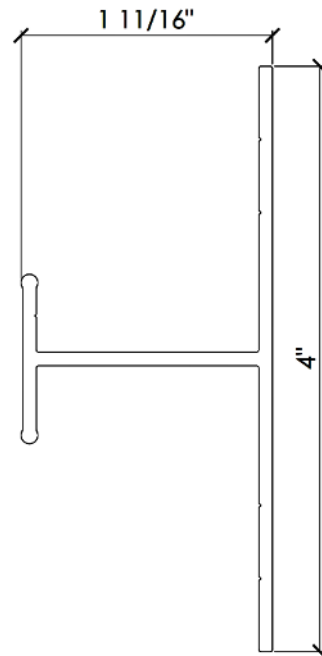
Length: 12'-0"



104

Soffit Standard T Anchor

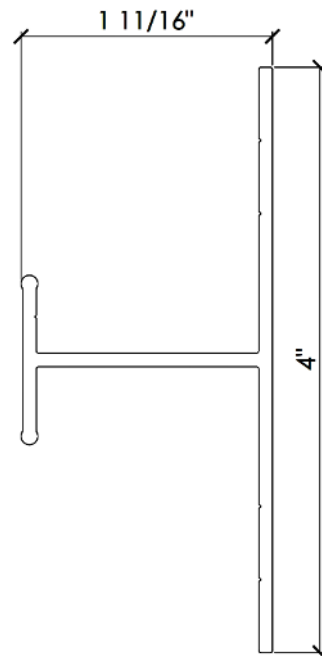
Length: 12'-0"



104B

Soffit Standard T Anchor Black

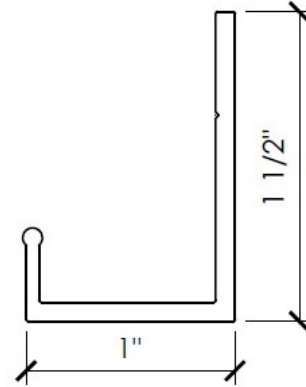
Length: 12'-0"



201

Interior Starter J Anchor

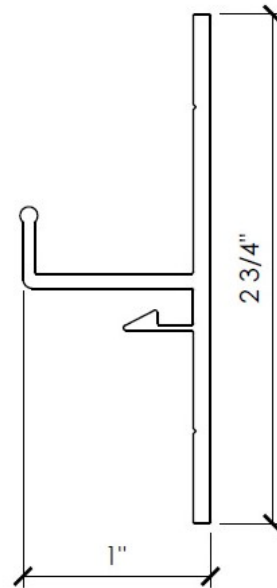
Length:12'-0"



202

Interior Intermediate T Anchor

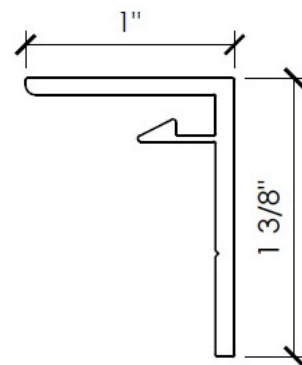
Length:12'-0"



203

Interior Top J Anchor

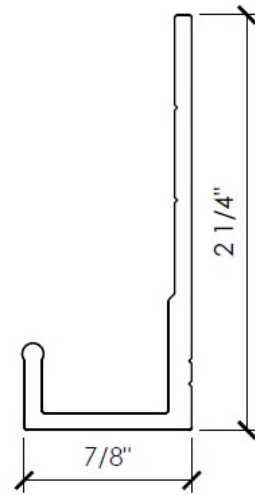
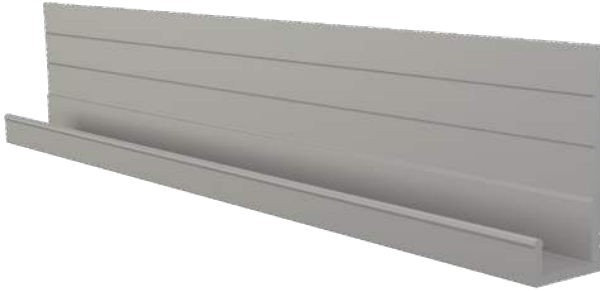
Length:12'-0"



211

Slim Ext. Starter J Anchor

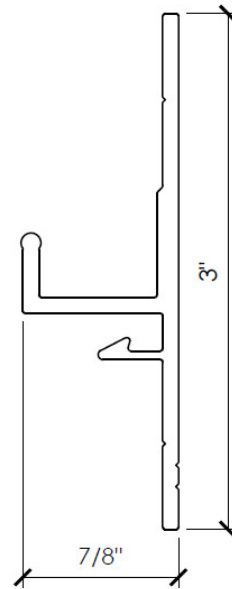
Length: 12'-0"



212

Slim Ext. Intermediate T Anchor

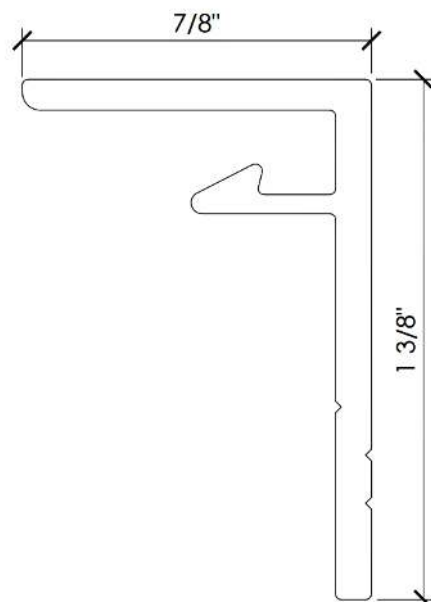
Length: 12'-0"



213

Slim Ext. Top J Anchor

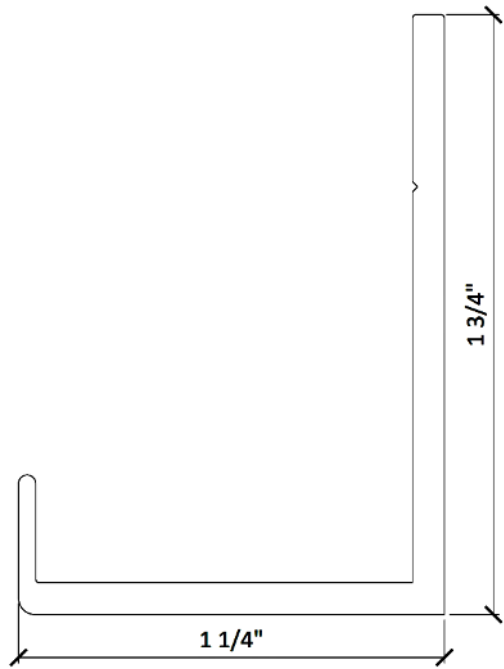
Length: 12'-0"



301

Thin Panel System Starter J

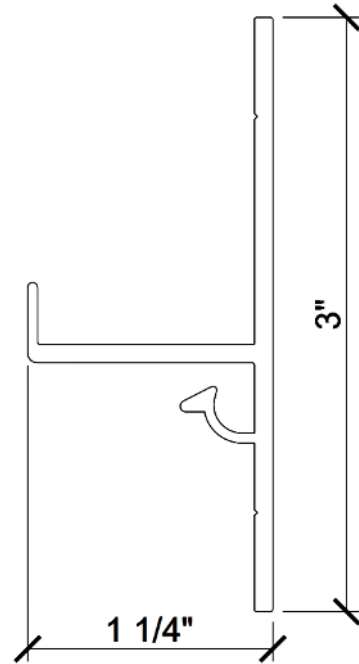
Length: 12'-0"



302

Thin Panel System Intermediate T

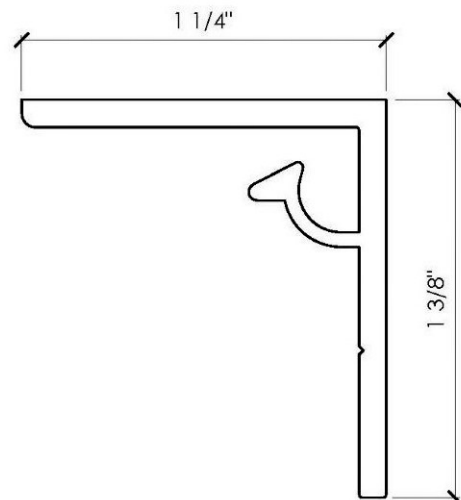
Length: 12'-0"



303

Thin Panel System Top J

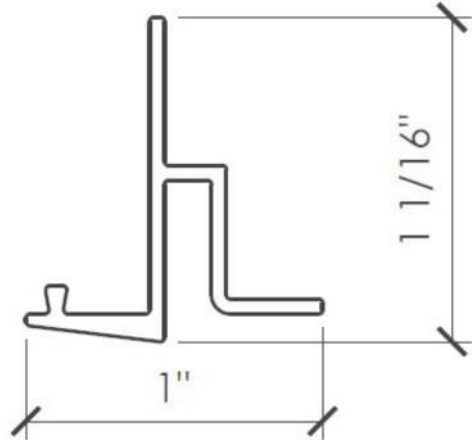
Length: 12'-0"



305

Planx Saddle Clip

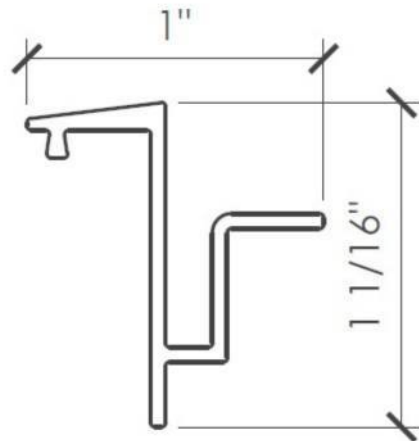
Length: 0'-1"



306

Planx Rebated Saddle Clip

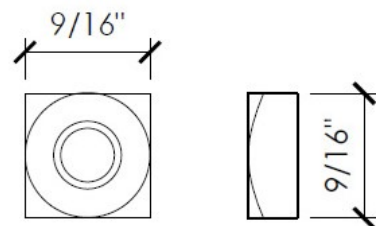
Length: 0'-1"



322

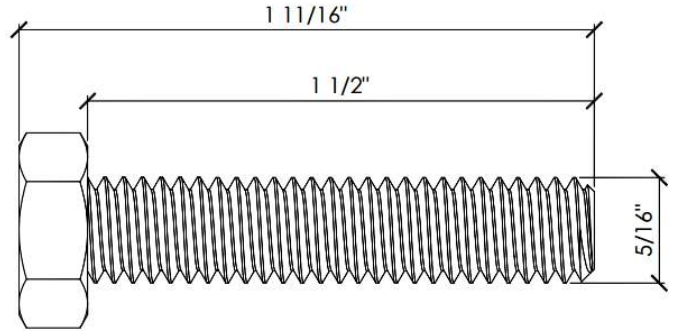
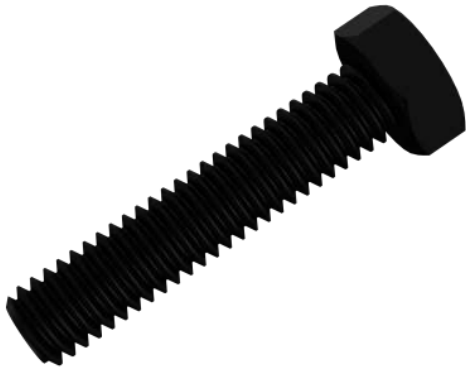
Nut-Pitch Adjustment

Length: 5/16"



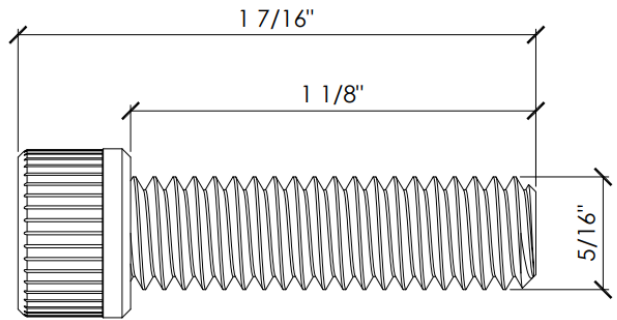
323

Bolt-Pitch Adjustment-Long Length: 5/16-18" x 1 1/2"



324

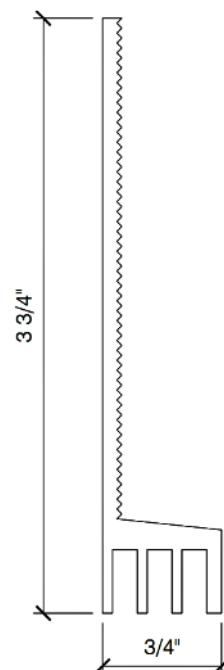
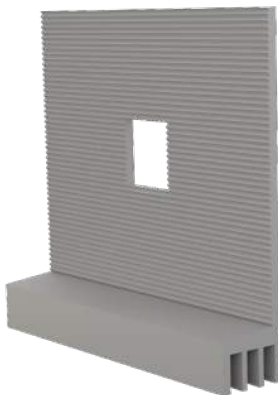
Bolt-Pitch Adjustment Ultra L/XL Length: 5/16-18 x 1 1/8"



350

Undercut System Fork

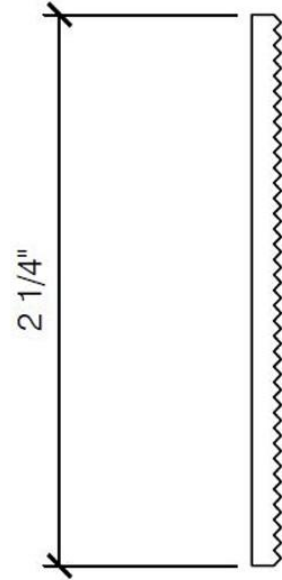
Length: 0'-4"



355

Undercut System Locking Plate

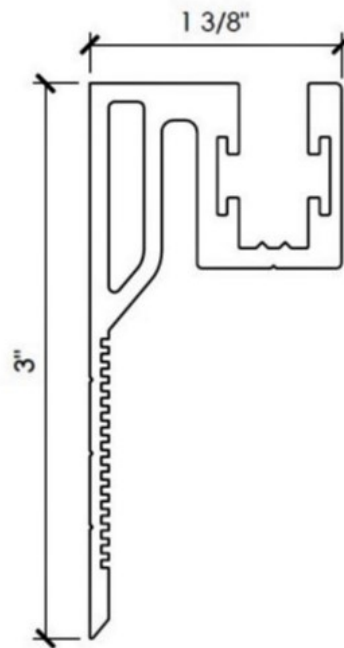
Length: 0'-3"



500

Dead load Panel Anchor

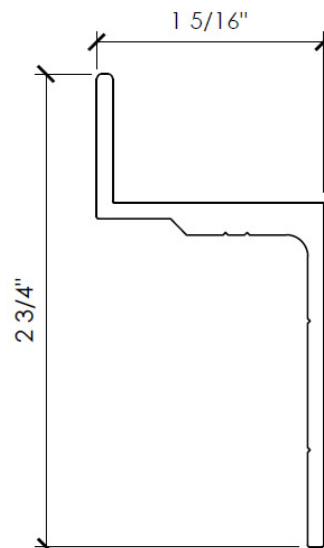
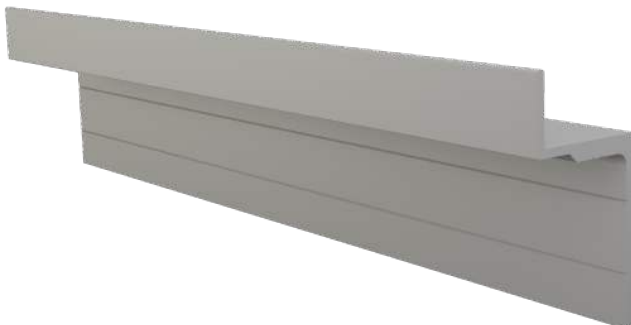
Length: 12'-0"



501

Dead load Substrate Anchor

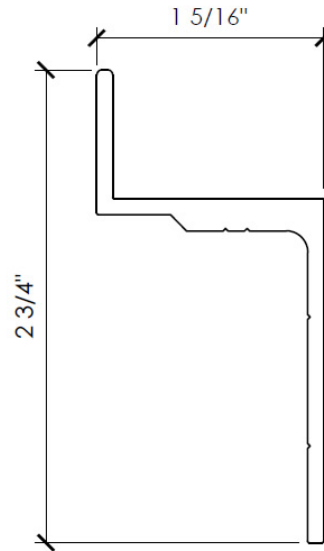
Length: 12'-0"



501B

Dead load Substrate Anchor Black

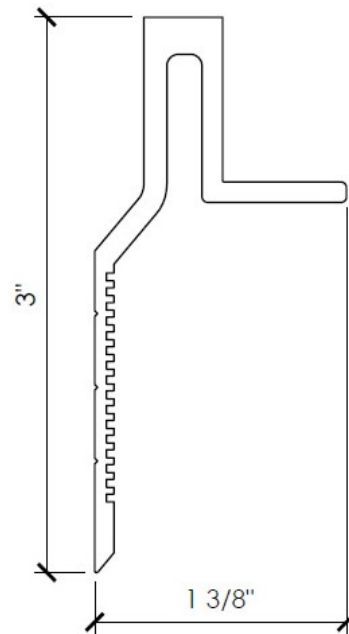
Length: 12'-0"



502

Wind load Panel Anchor

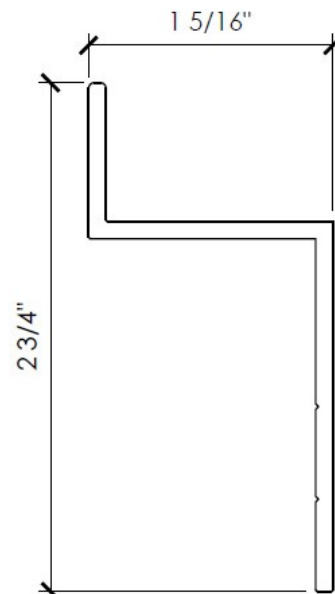
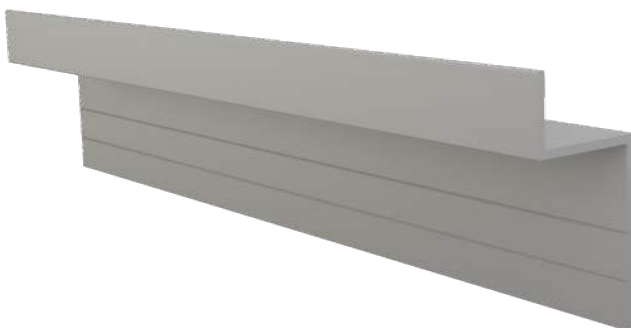
Length: 12'-0"



503

Wind Load Substrate Anchor

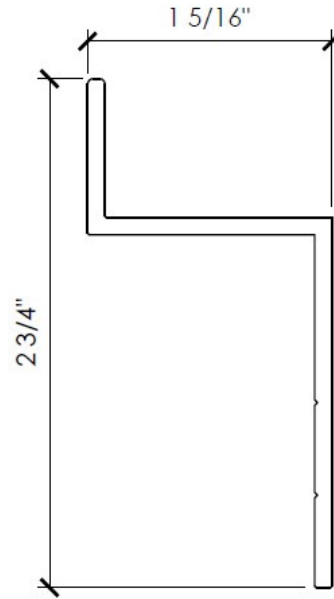
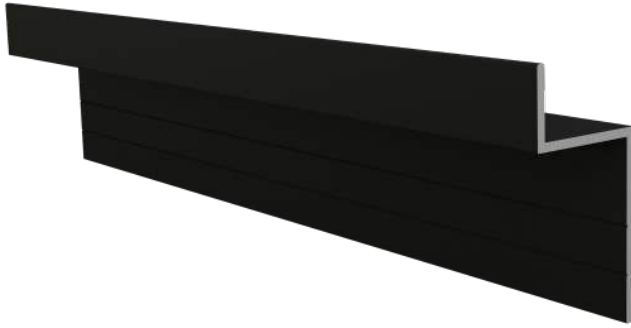
Length: 12'-0"



503B

Wind Load Substrate Anchor Black

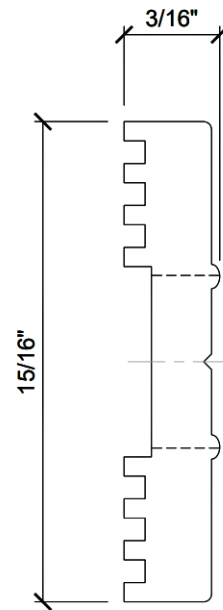
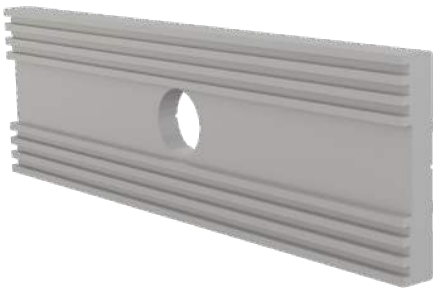
Length: 12'-0"



505A

Ultra Locking Plate 8mm

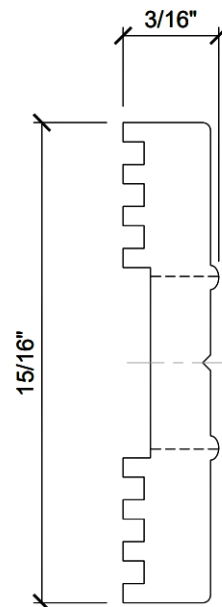
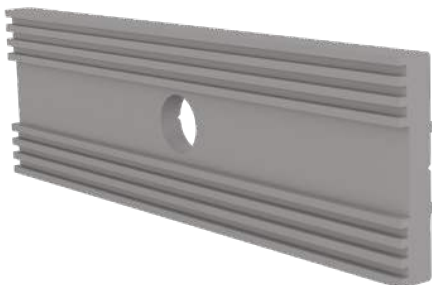
Length: 0'-3"



505B

Ultra Locking Plate 6mm

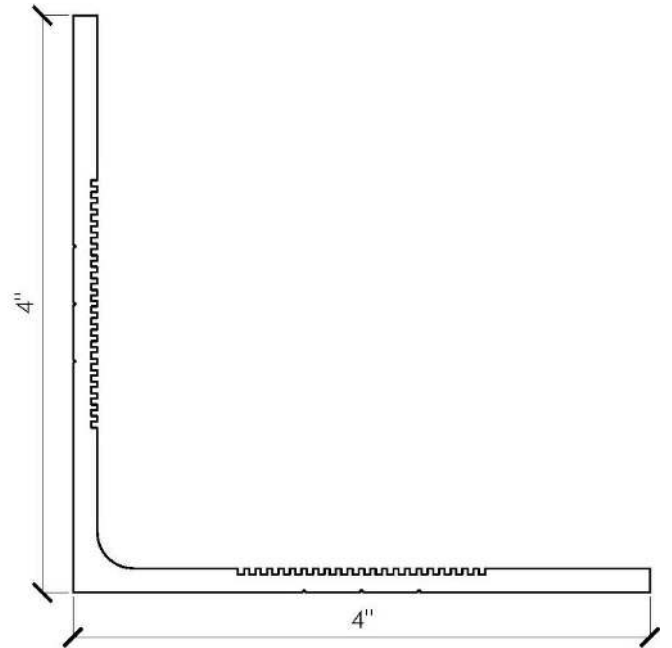
Length: 0'-3"



540

Corner Return Angle

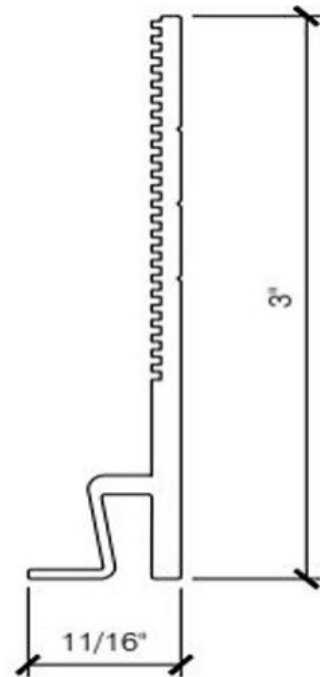
Length: 0'-4"



550

Rotational Undercut Anchor

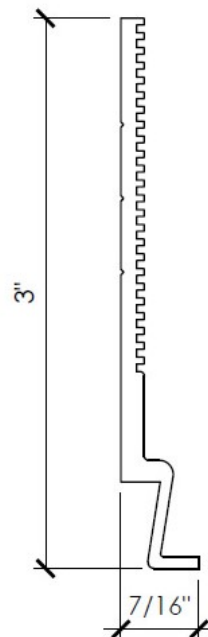
Length: 0'-4"



560

Mechanical Kerf Anchor

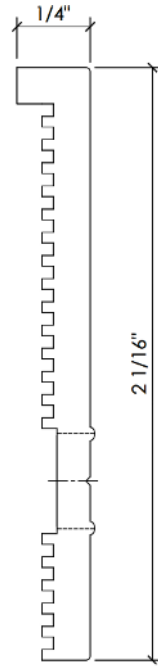
Length: 0'-4"



565A

Kerf Locking Plate/8mm hole

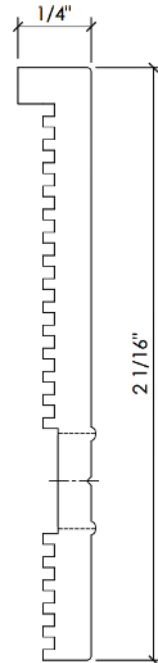
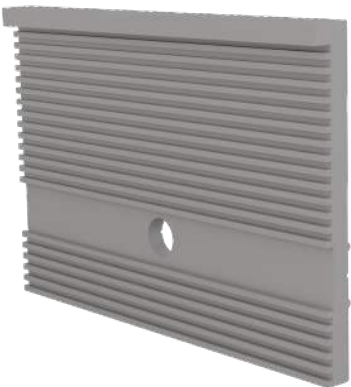
Length: 0'-3"



565B

Kerf Locking Plate/6mm hole

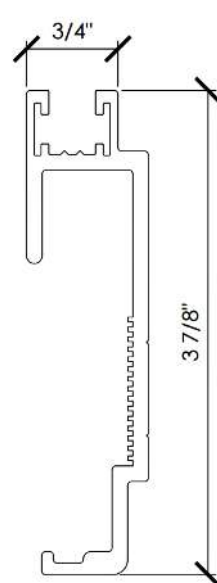
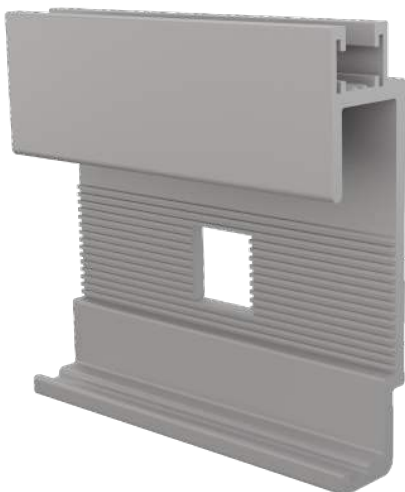
Length: 0'-3"



570

Ultra XL Dead Load Support Anchor

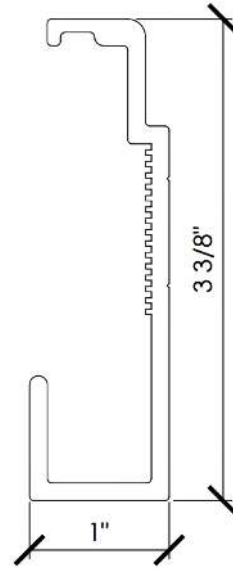
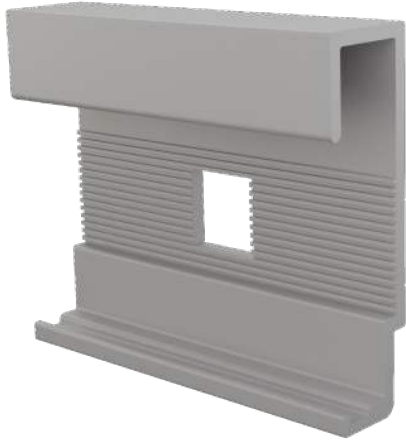
Length: 0'-4"



571

Ultra XL Wind Load Panel Anchor

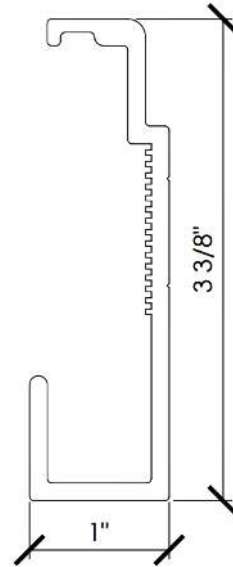
Length: 0'-4"



571A

Ultra XL Wall Anchor

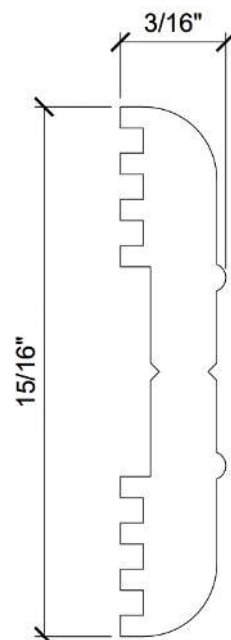
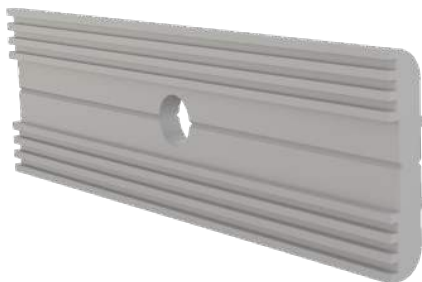
Length: 12'-0"



575A

Ultra 3.0 Locking Plate

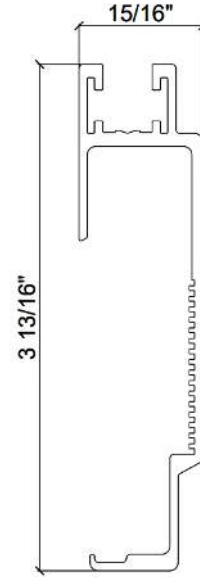
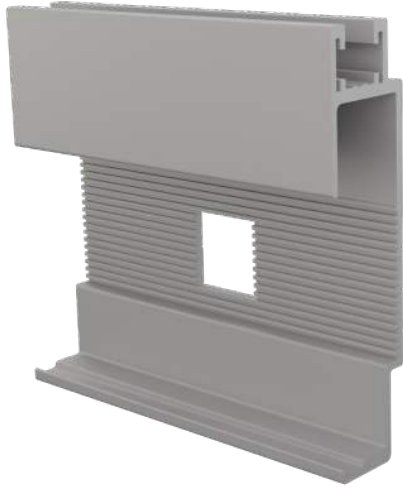
Length: 0'-3"



580

ULTRA L Dead Load Panel Anchor

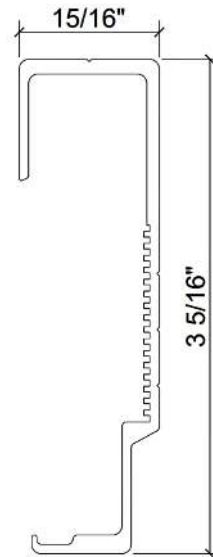
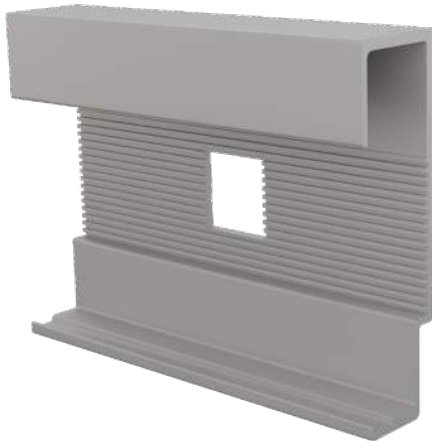
Length: 0'-4³/₈"



581

ULTRA L Wind Load Panel Anchor

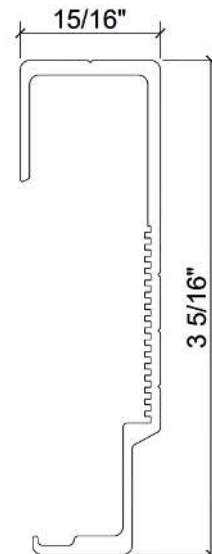
Length: 0'-4"



581A

ULTRA L Wall Panel Anchor

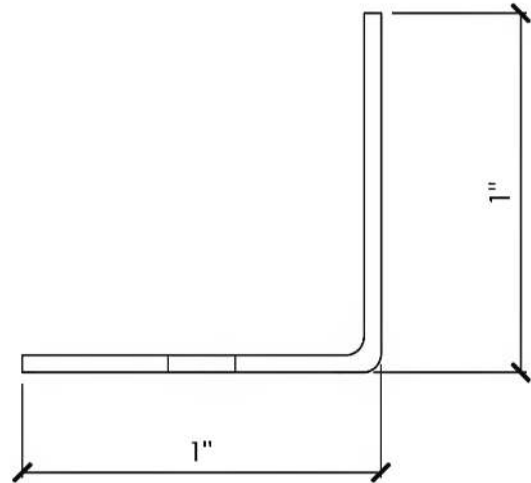
Length: 12'-0"



585

Dead Load Anchor Stop Clip

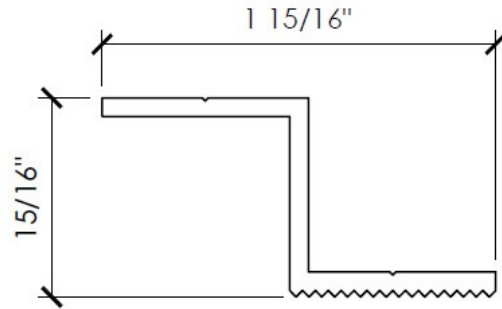
Length: $\frac{3}{4}$ "



A101

1in Depth Vertical Mullion

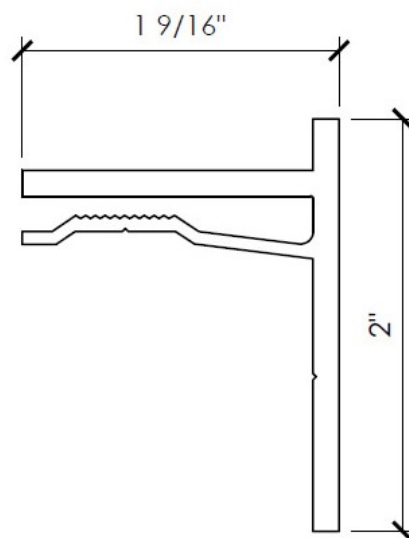
Length: 12'-0"



A202

2 in Adjustable Discrete Wall Bracket

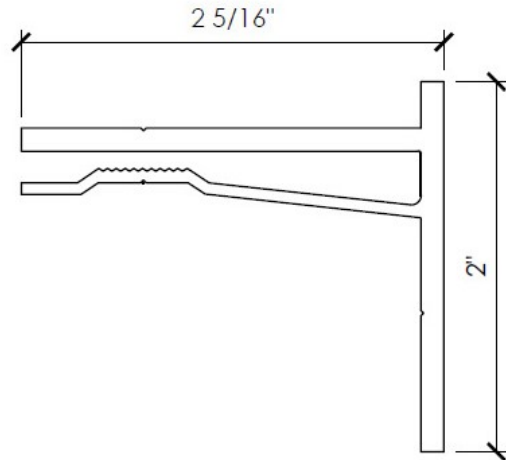
Length: 0'-4 $\frac{3}{8}$ "



A203

3 in Adjustable Discrete Wall Bracket

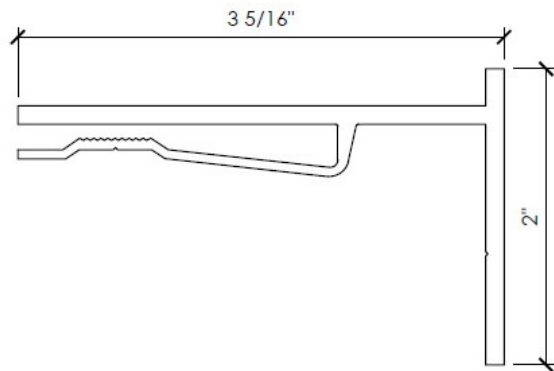
Length: 0'-4³/₈"



A204

4 in Adjustable Discrete Wall Bracket

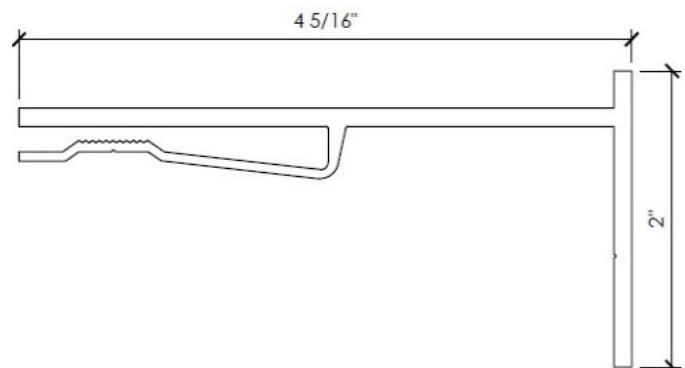
Length: 0'-4³/₈"



A205

5 in Adjustable Discrete Wall Bracket

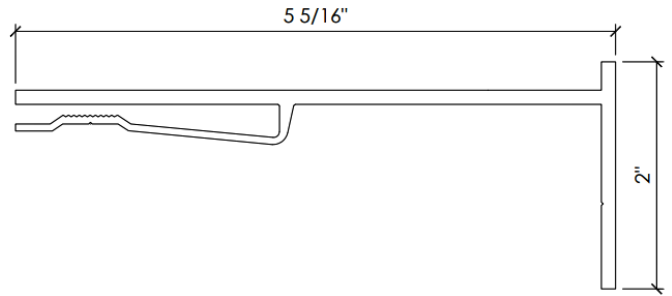
Length: 0'-4³/₈"



A206

6 in Adjustable Discrete Wall Bracket

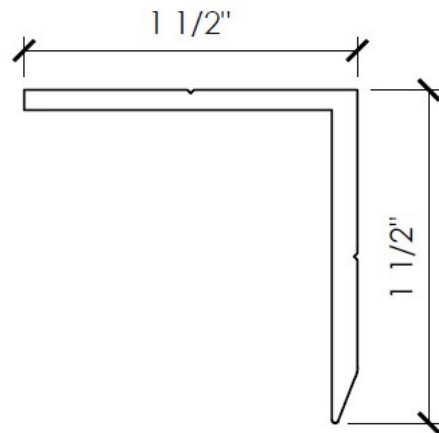
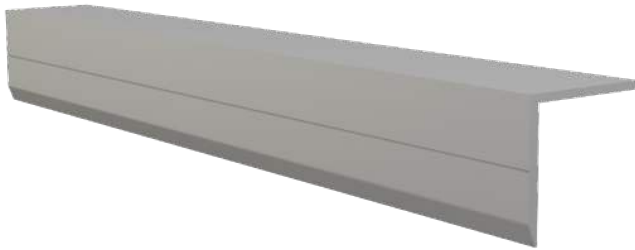
Length: 0'-4³/₈"



A211

1½ in Adj Vertical Mullion

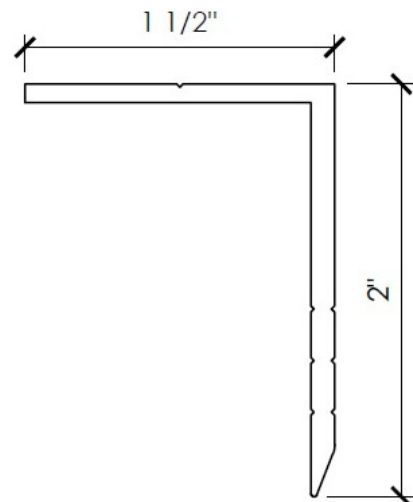
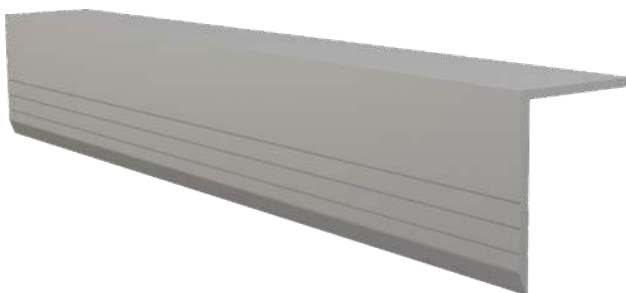
Length: 12'-0"



A212

2 in Adj Vertical Mullion

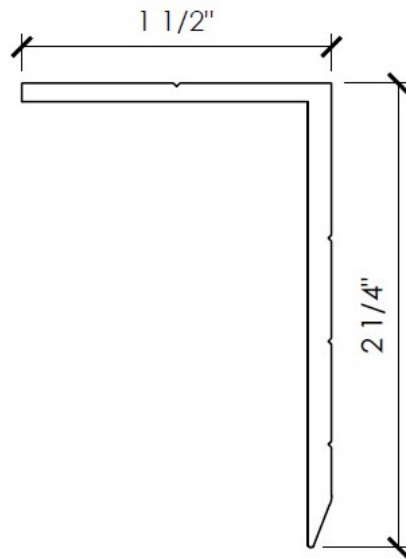
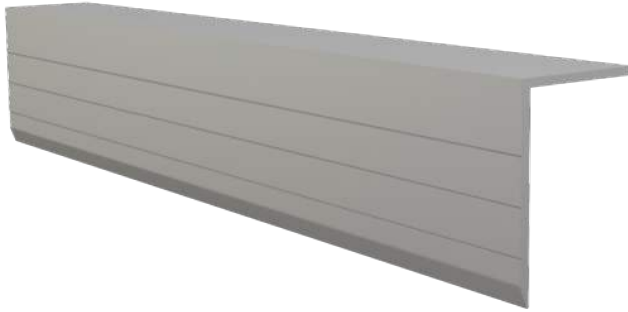
Length: 12'-0"



A214

2 1/4 in Adj Vertical Mullion

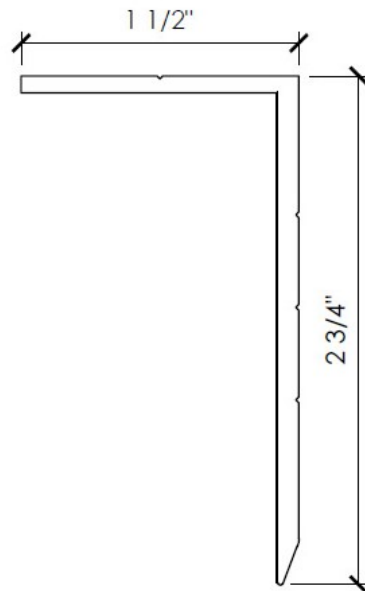
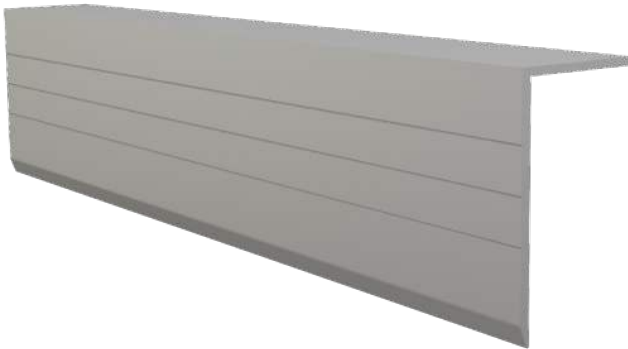
Length: 12'-0"



A215

2 3/4 in Adj Vertical Mullion

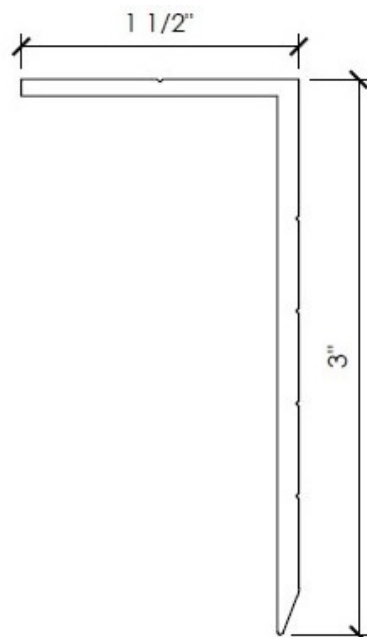
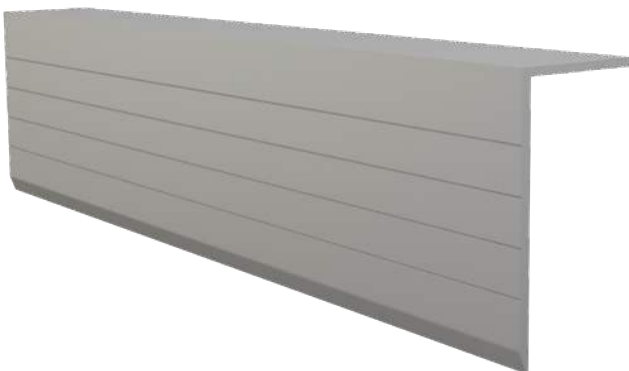
Length: 12'-0"



A216

3 in Adj Vertical Mullion

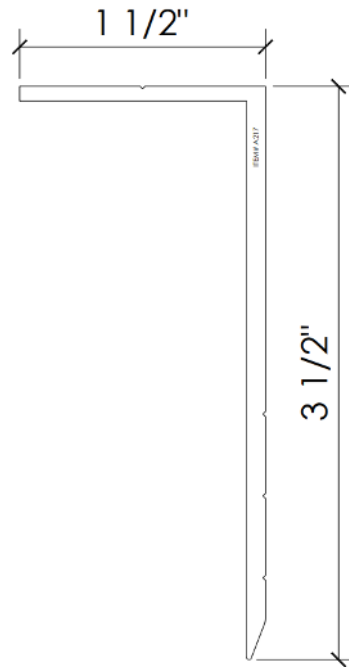
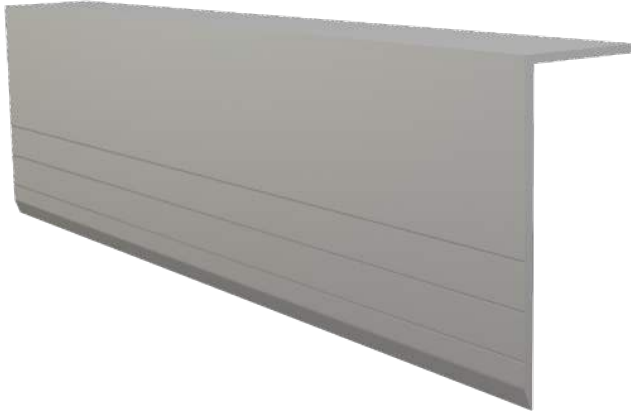
Length: 12'-0"



A217

3½ in Adj Vertical Mullion

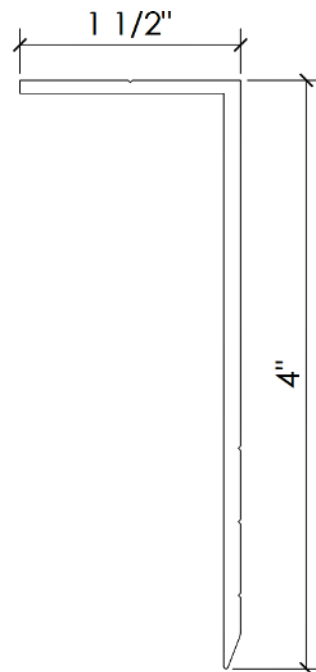
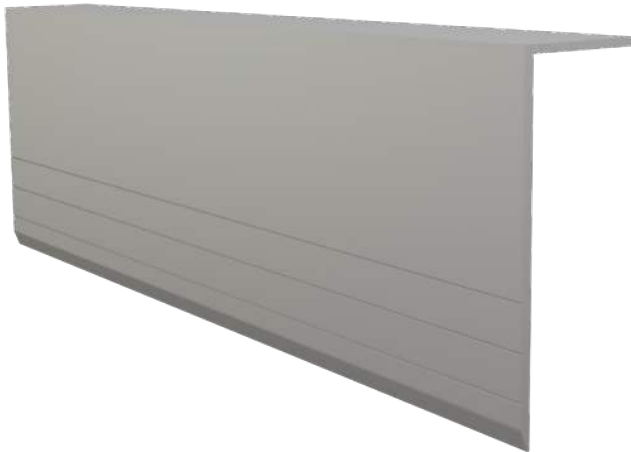
Length: 12'-0"



A218

4 in Adj Vertical Mullion

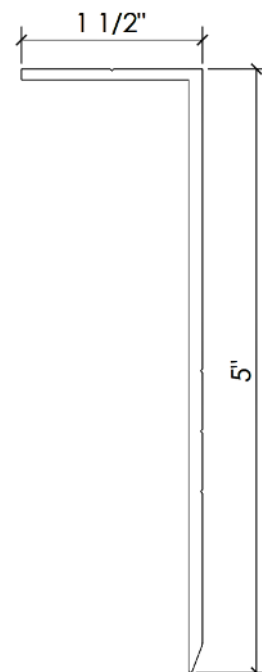
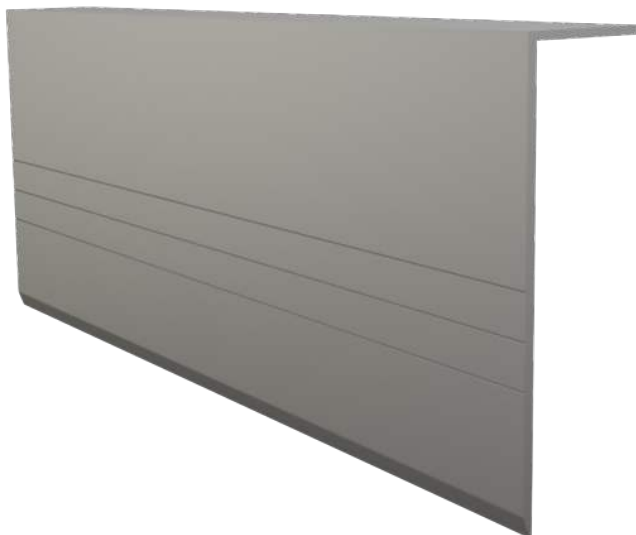
Length: 12'-0"



A220

5 in Adj Vertical Mullion

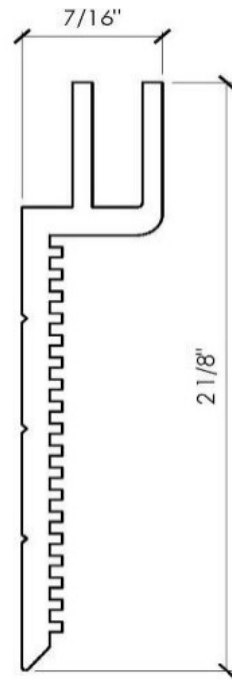
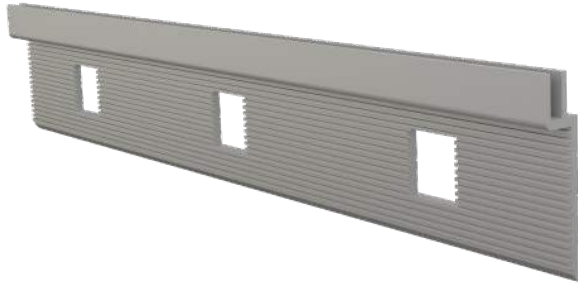
Length: 12'-0"



B110

Intermediate Support Fork Anch

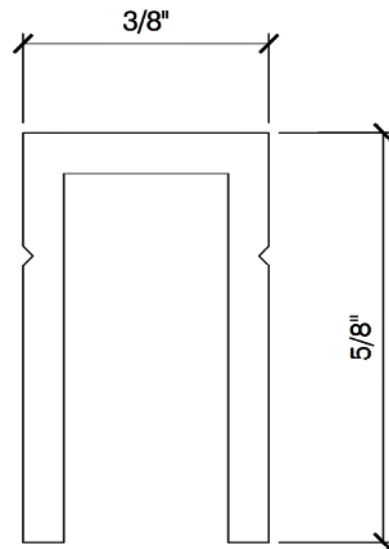
Length: 12'-0"



B200

Closure Bar

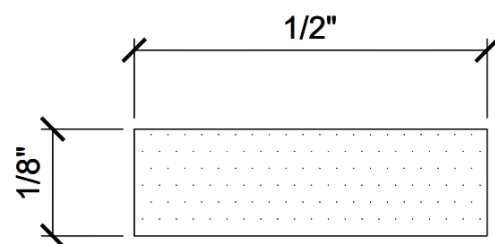
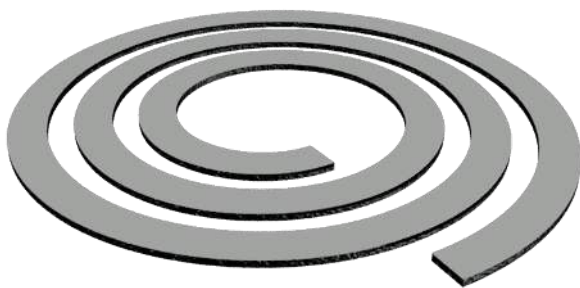
Length: 12'-0"



C001

Self Adhesive Foam Tape 1/8 in

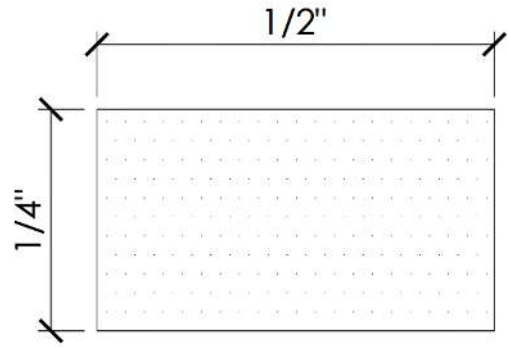
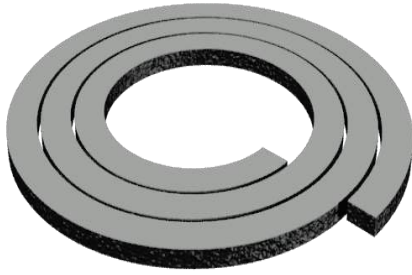
Length: 100'-0"



C002

Self Adhesive Foam Tape 1/4 in

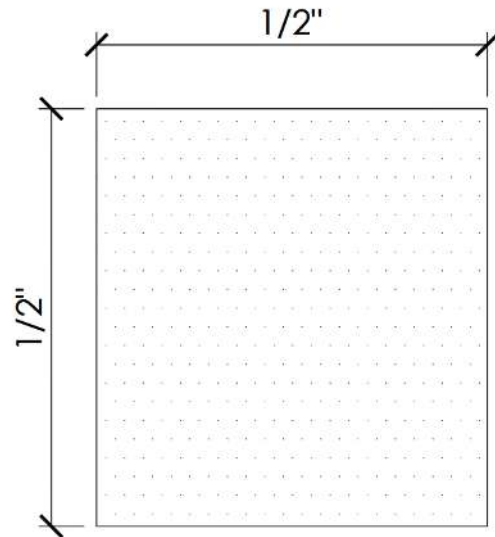
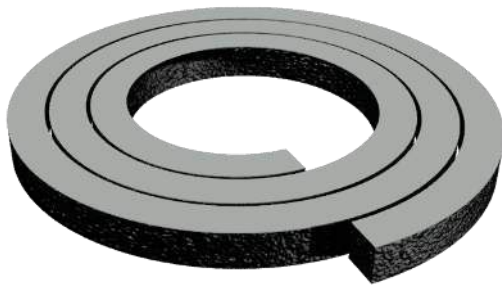
Length: 50'-0"



C003

Self Adhesive Foam Tape 1/2 in

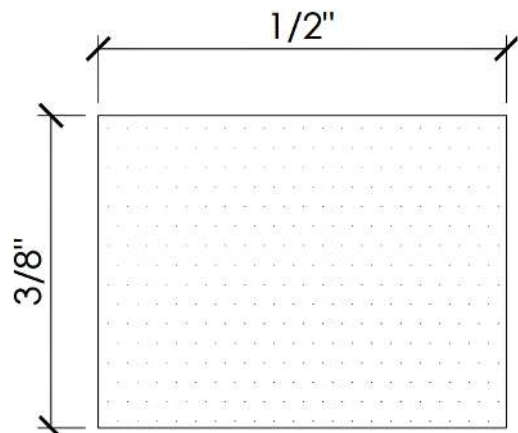
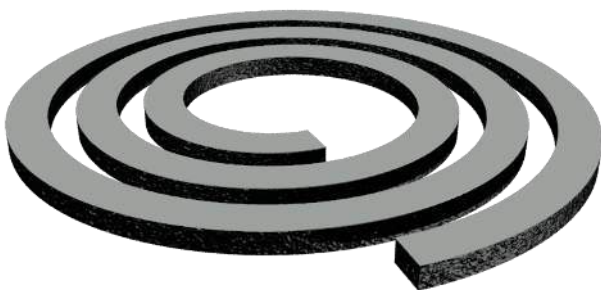
Length: 25'-0"



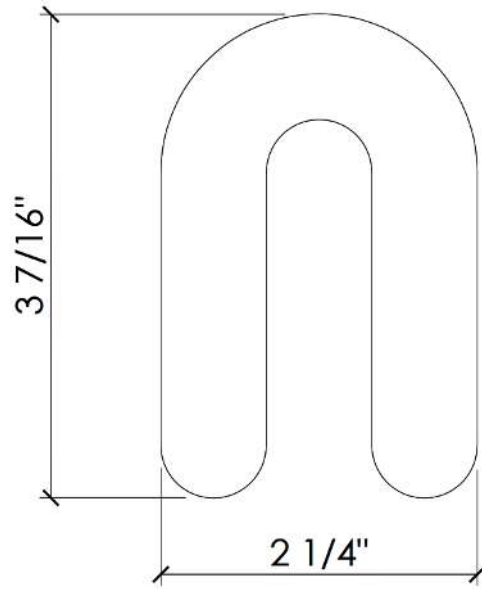
C004

Self Adhesive Foam Tape 3/8 in

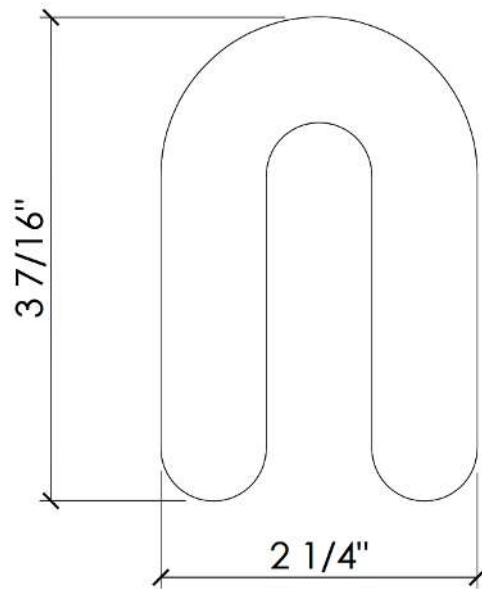
Length: 25'-0"



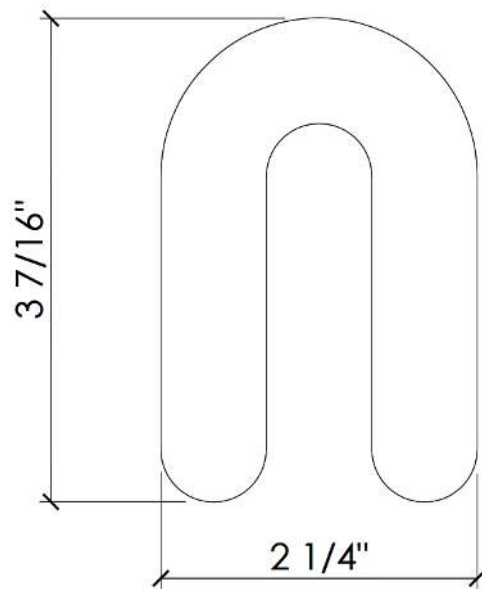
C100 Shim Length: 1/16" x 3 1/2"



C101 Shim Length: 1/8" x 3 1/2"



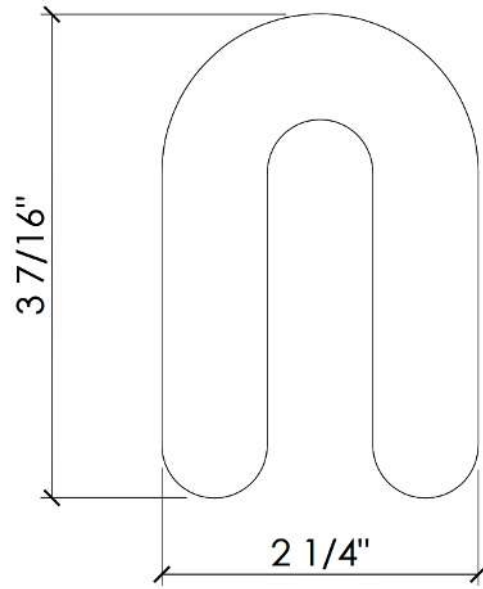
C102 Shim Length: 1/4" x 3 1/2"



C103

Shim

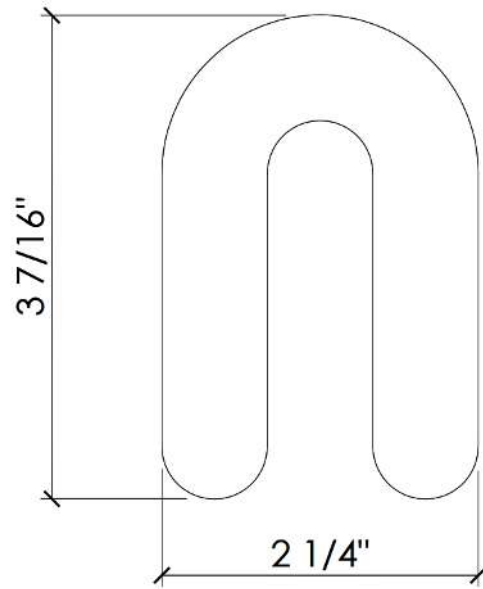
Length: 1/2" x 3 1/2"



C104

Shim

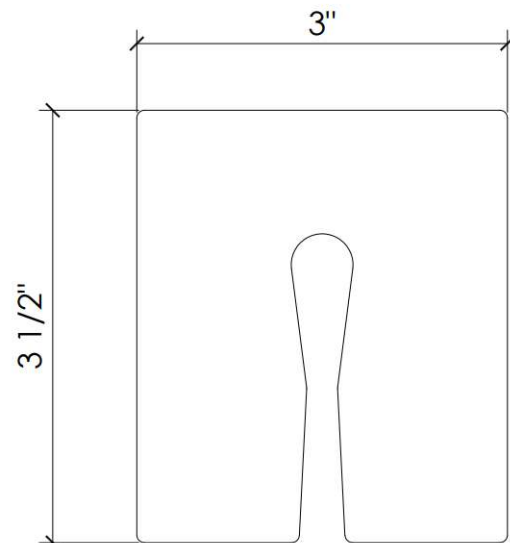
Length: 1/32" x 3 1/2"



C110

Shim Key Slot

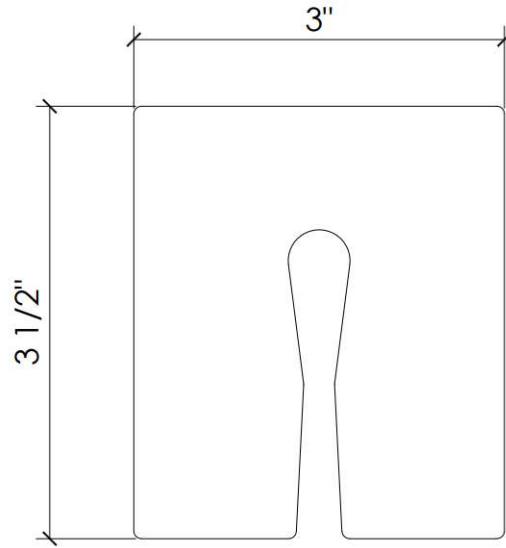
Length: 1/16" x 3" x 3 1/2"



C111

Shim Key Slot

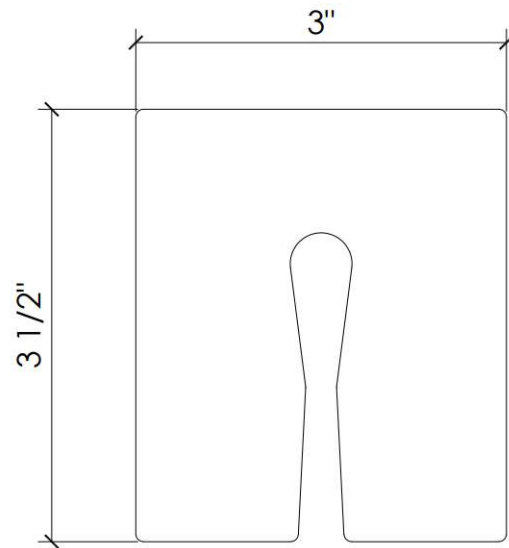
Length: 1/8" x 3" x 3 1/2"



C112

Shim Key Slot

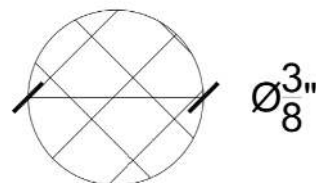
Length: 1/4" x 3" x 3 1/2"



C200

3/8 in Open Cell Backer Rod

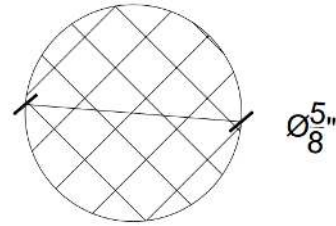
Length: 750'-0"



C201

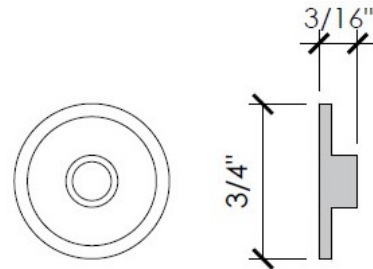
5/8 in Open Cell Backer Rod

Length: 500'-0"



C300

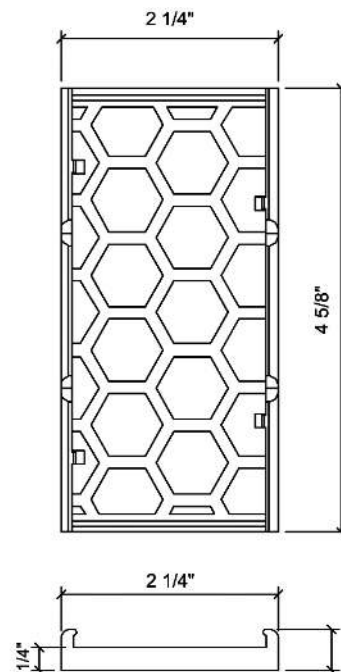
Thermal Isolating Washer



C311

Thermal Isolating Back-Plate

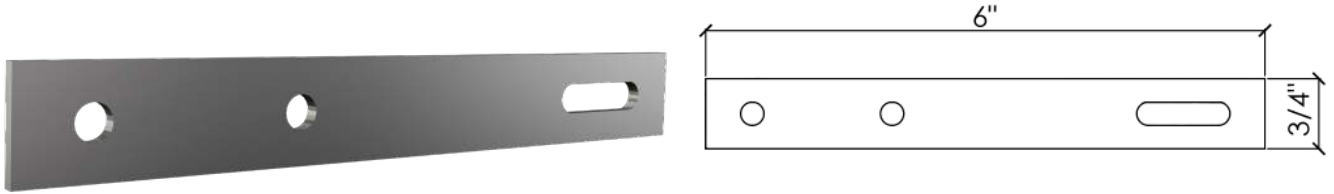
Length: 0'-4 3/8"



C320

Cantilever Plate

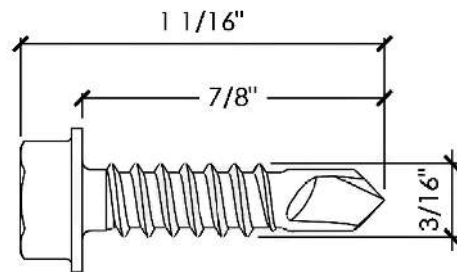
Length: 3/4" x 6"



F001

Elco Dril Flex

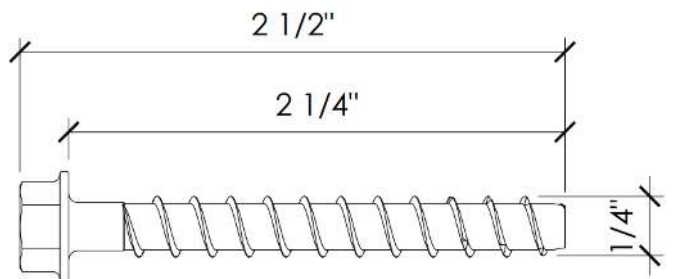
Length: 12-14 x 7/8"



F104

Elco Aggre-gator

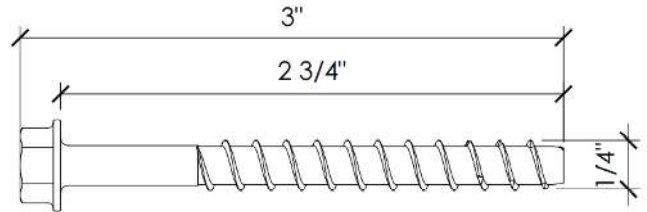
Length: 1/4" x 2 1/4"



F114

KwikCon II SS Fastener

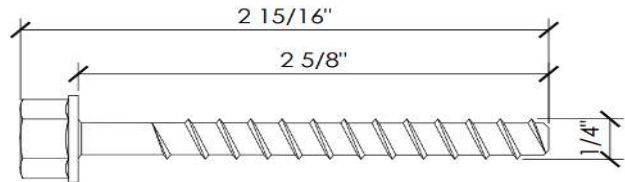
Length: 1/4" x 2 1/4"



F116

Hilti Kwik Hus EZ

Length: 1/4" x 2 5/8"

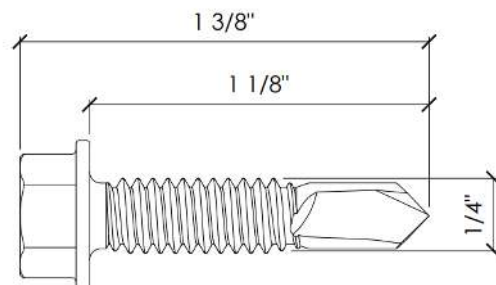


FOR ICC CERTIFICATION

F201

Elco Dril Flex

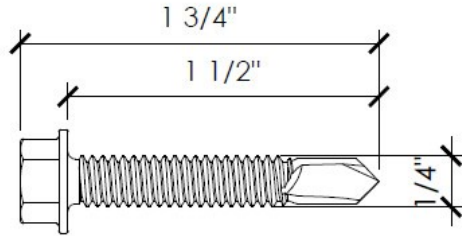
Length: 1/4-20" x 1 1/8"



F203

Elco Dril FLex

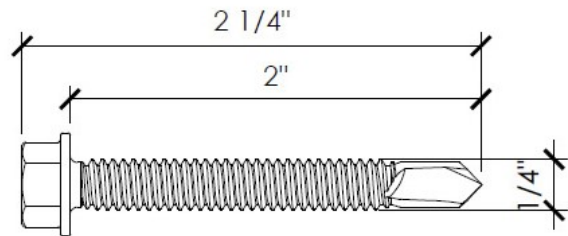
Length: 1/4-20" x 1 1/2"



F204

Elco Dril Flex

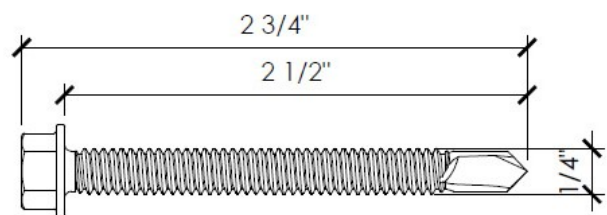
Length: 1/4-20" x 2"



F205

Elco Dril Flex

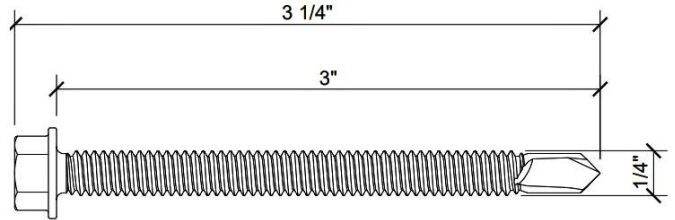
Length: 1/4-20" x 2 1/2"



F206

Elco Dril Flex

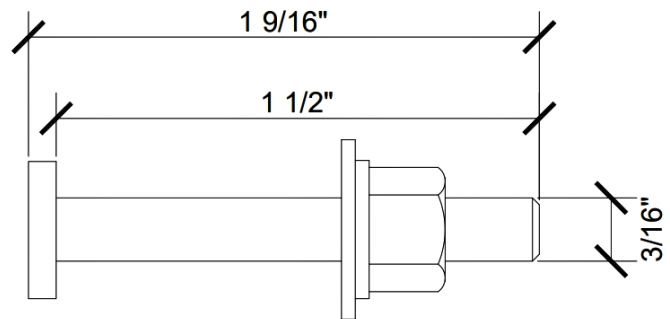
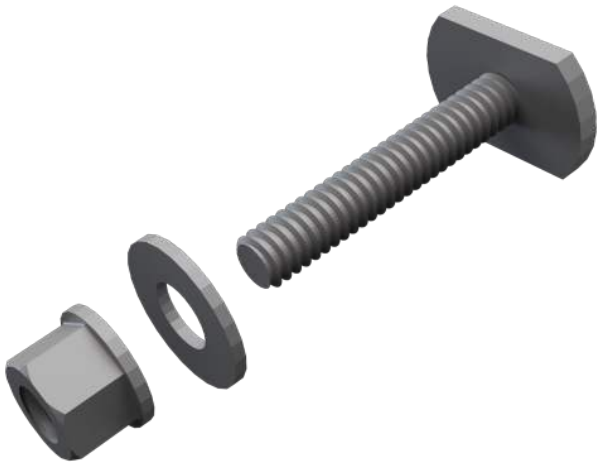
Length: 1/4-20" x 3 3/8"



F300

T-31 Anchor

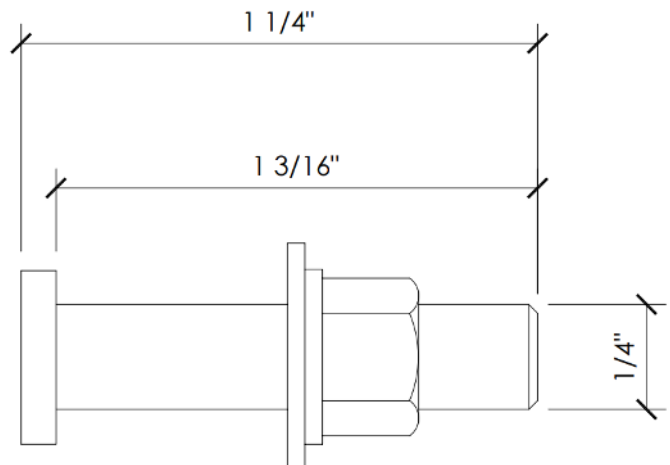
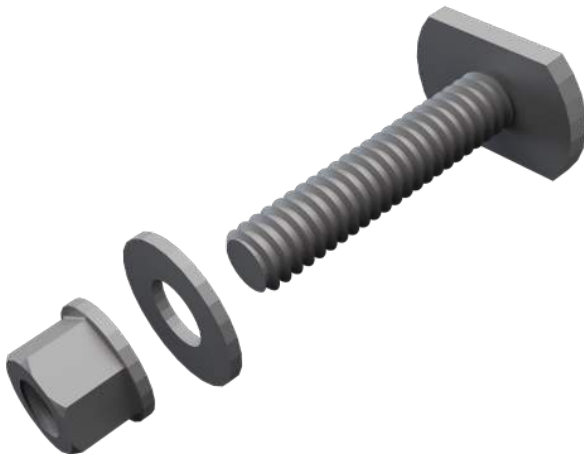
Length: 3/16" x 1 1/2"



F301

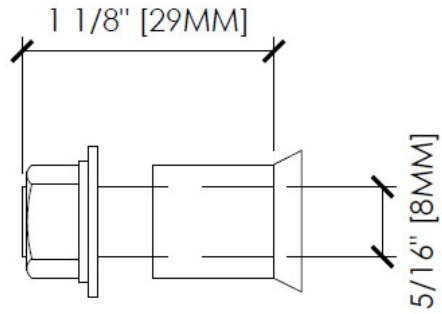
T-31 Anchor

Length: 1/4" X 1 1/2"



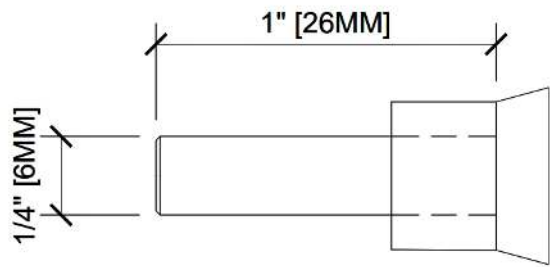
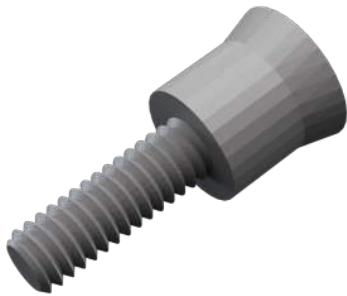
F302

Fischer Undercut Anchor 30mm



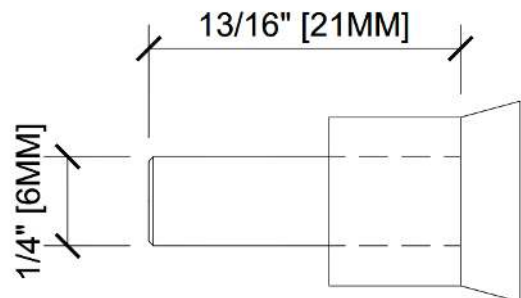
F303

Fischer Undercut Anchor 20mm



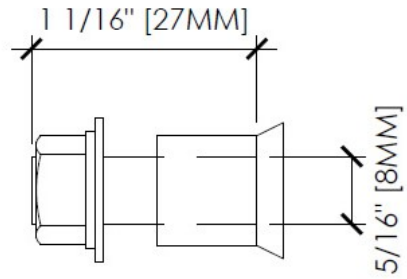
F304

Fischer Undercut Anchor 20mm ULTRA



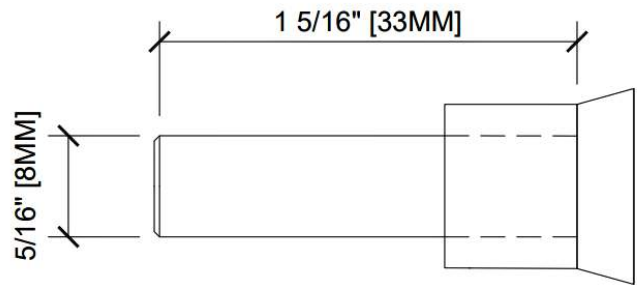
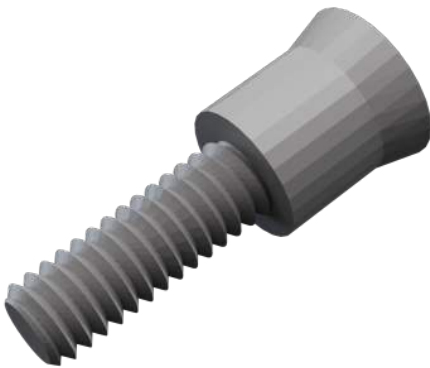
F305

Fischer Undercut Anchor 20mm



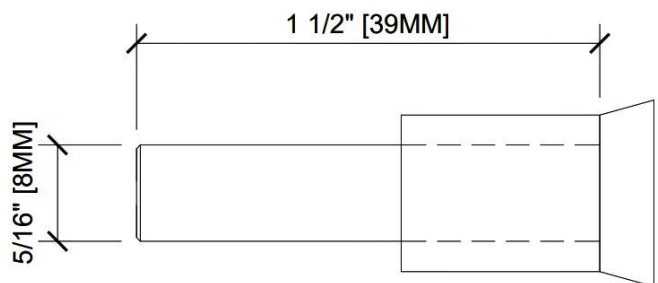
F306

Fischer Undercut Anchor 20mm



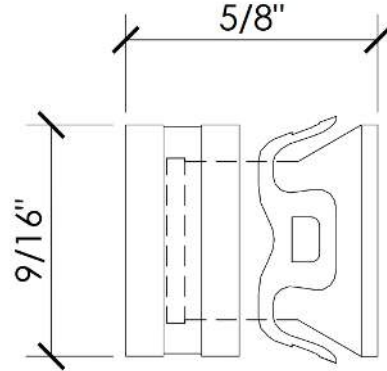
F307

Fischer Undercut Anchor 30mm



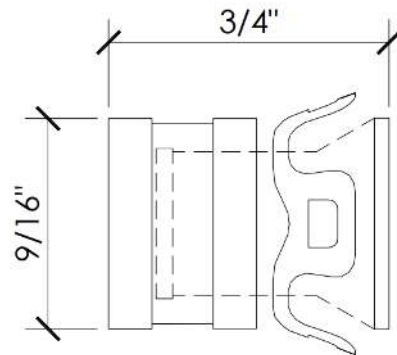
F312

Fischer Undercut Anchor 12mm M8i



F315

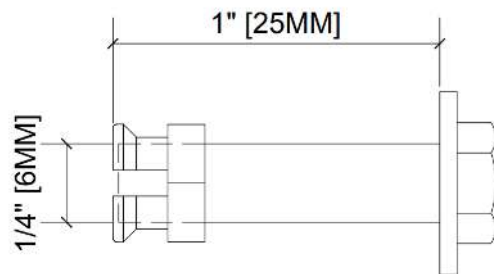
Fischer Undercut Anchor 15mm M8i



F350

KEIL 7mm Undercut Anchor Bolt

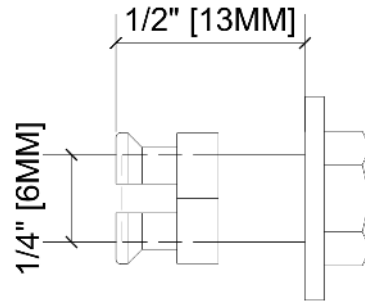
Length: 25mm



F351

KEIL 7mm Undercut Anchor Bolt

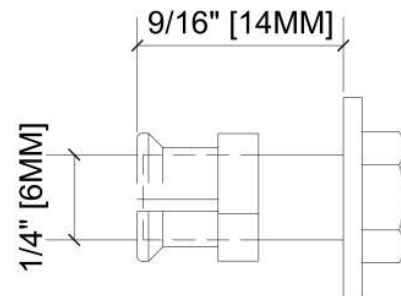
Length: 13mm



F352

KEIL 12mm Undercut Anchor Bolt

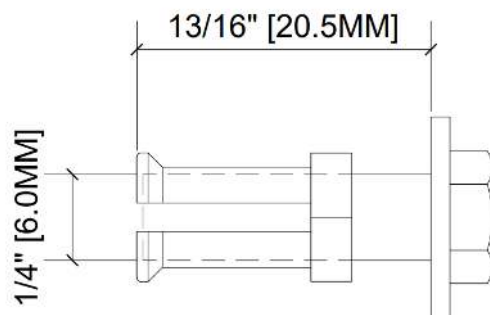
Length: 14mm



F353

KEIL 20mm Undercut Anchor Bolt

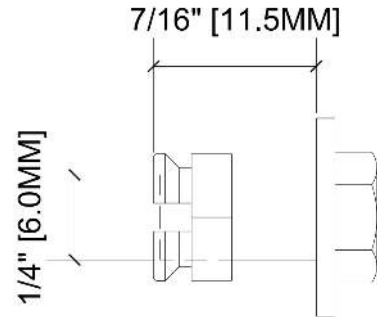
Length: 20.5mm



F354

KEIL 5.5mm Undercut Anchor Bolt

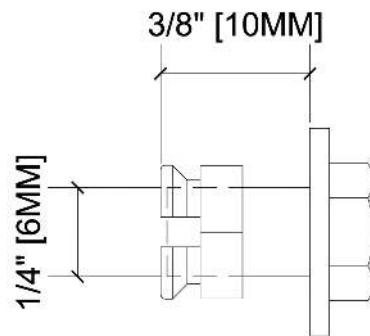
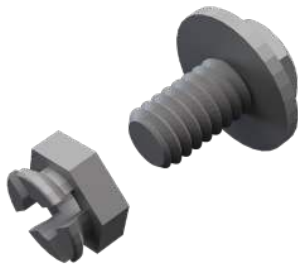
Length: 11.5mm



F355

KEIL 5.5mm Undercut Anchor Bolt

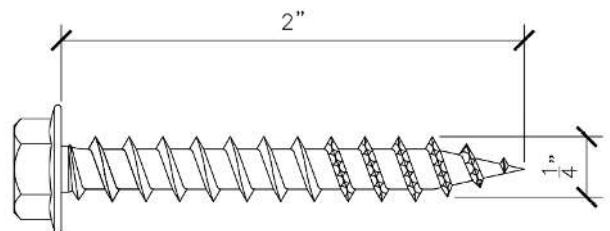
Length: 10mm



F504

Wood Stud Screw

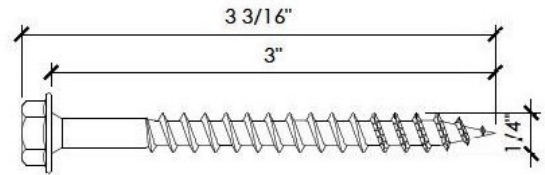
Length: 1/4\" x 2\"



F505

Wood Stud Screw

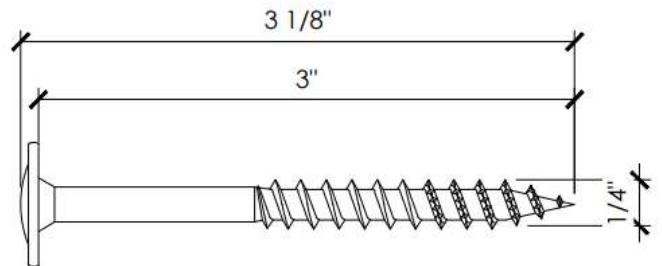
Length: 1/4" x 3"



F507

T-Star Wood Screw

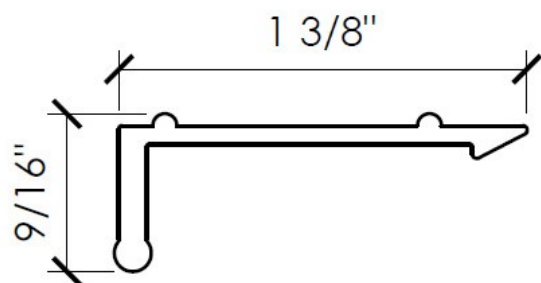
Length: 1/4" x 3"



L001

Standard L Bracket 1/4 in Joint

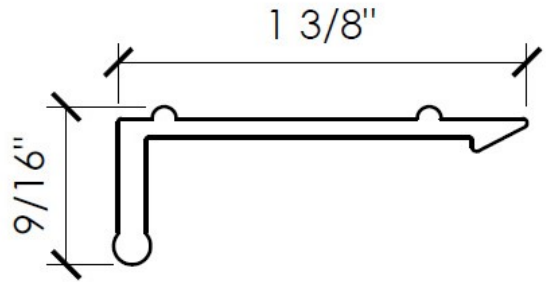
Length: 12'-0"



L001B

Standard L Bracket 1/4 in Joint Black

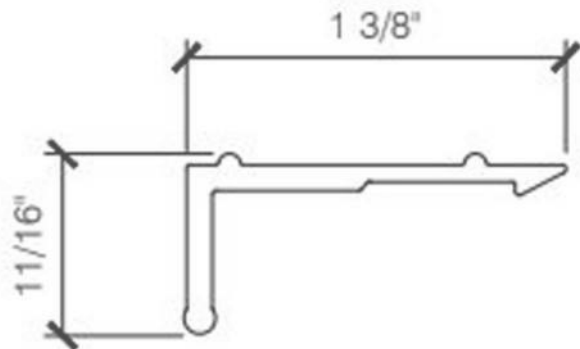
Length: 12'-0"



L002

Standard L Bracket 3/8 in .4

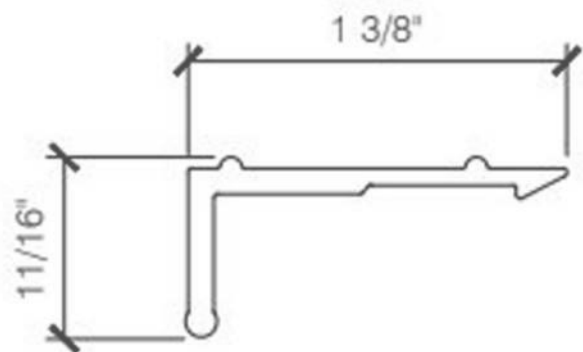
Length: 0'-6"



L002B

L Bracket 3/8 in .4 Black

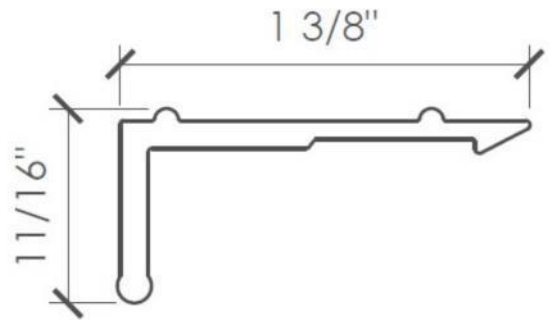
Length: 12'-0"



L003

Standard L Bracket $\frac{3}{8}$ in .5

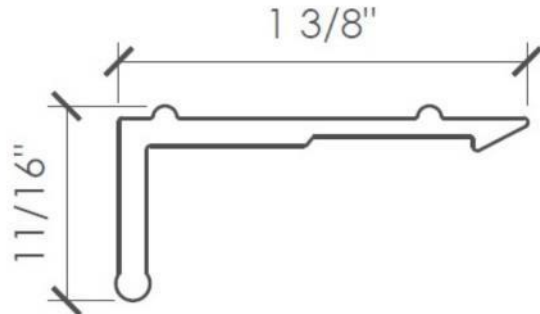
Length: 0'-6"



L003B

L Bracket $\frac{3}{8}$ in .5 Black

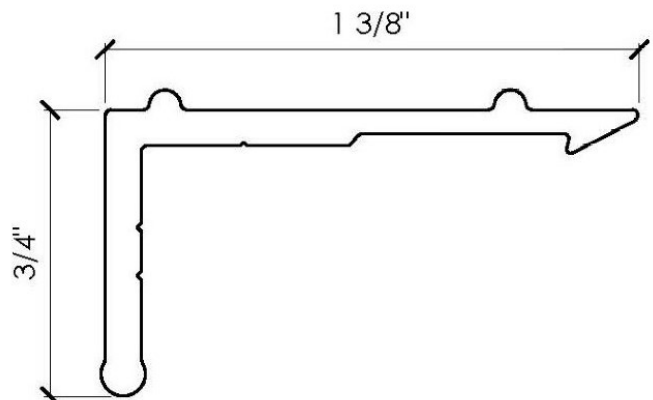
Length: 12'-0"



L004

Standard L Bracket $\frac{1}{2}$ in Joint

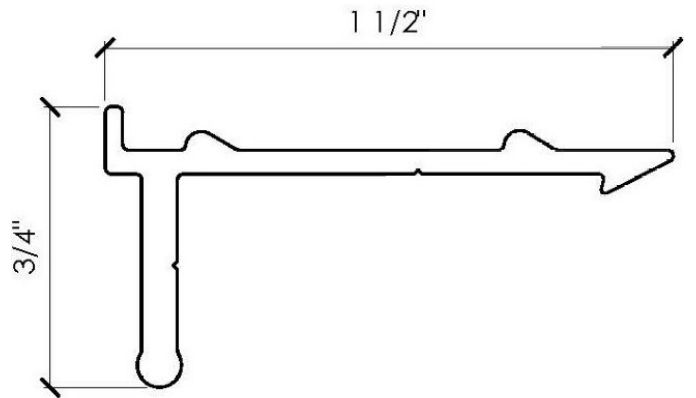
Length: 0'-6"



L103B

Open L Bracket $\frac{3}{8}$ in .5 Black

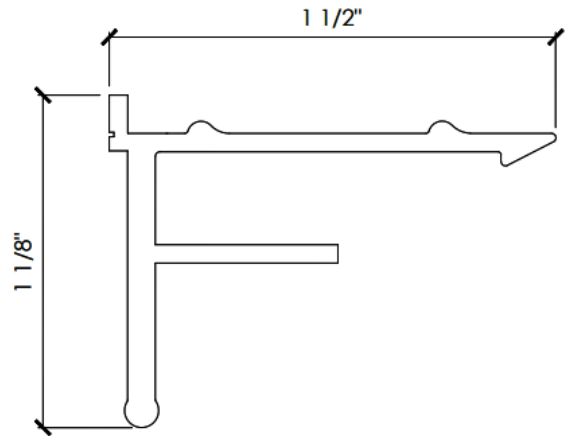
Length: 12'-0"



L107

L Bracket Open Joint $\frac{3}{4}$ in

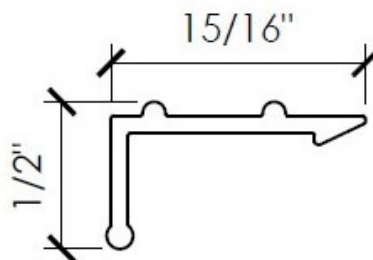
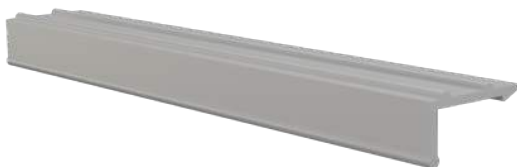
Length: 12'-0"



L201

Interior L Bracket $\frac{1}{4}$ in Joint

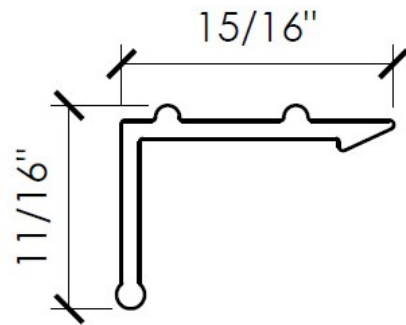
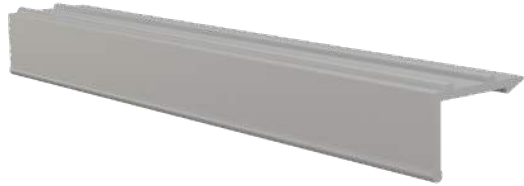
Length: 0'-6"



L202

Interior L Bracket $\frac{3}{8}$ in Joint

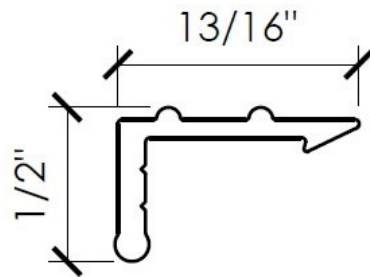
Length: 0'-6"



L211

Slim L Bracket $\frac{1}{4}$ in Joint

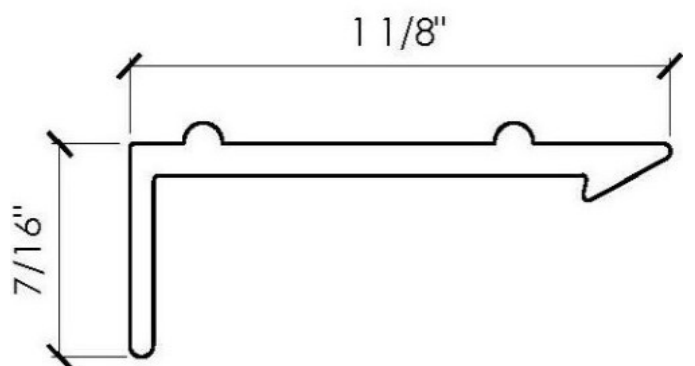
Length: 0'-6"



L300

Thin Panel $\frac{1}{4}$ in L Bracket

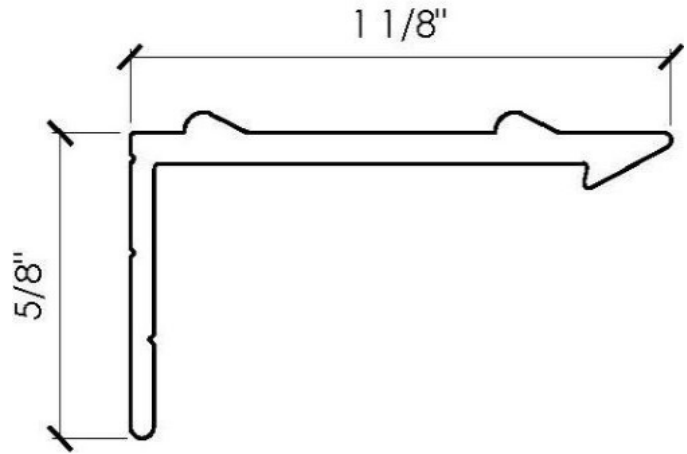
Length: 1'-0"



L302

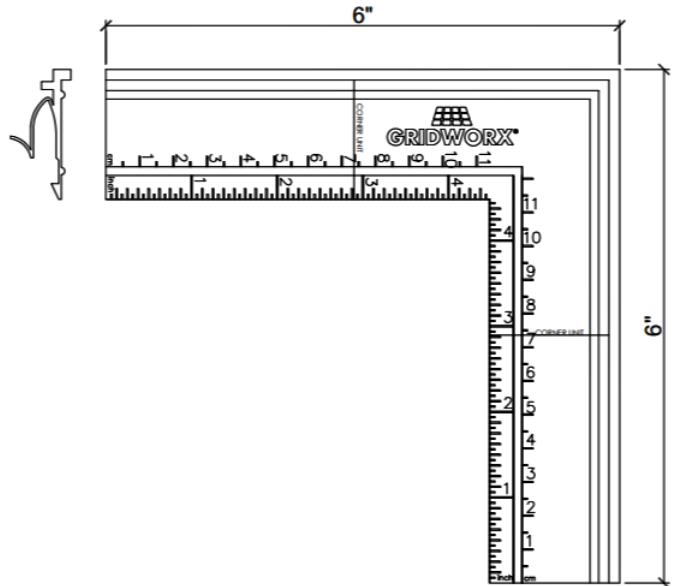
Thin Panel 3/8 in L Bracket

Length: 1'-0"



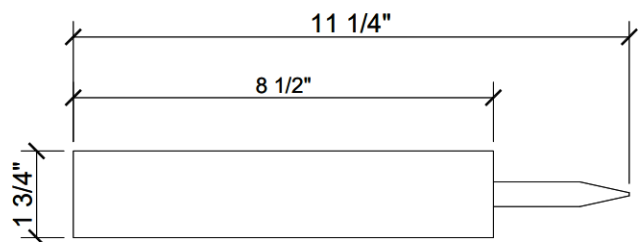
L502

Corner L Bracket Black 3/8 in



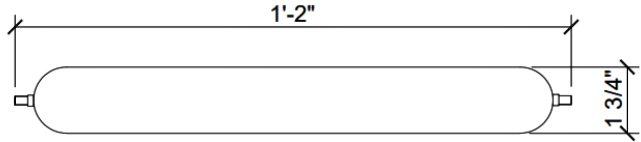
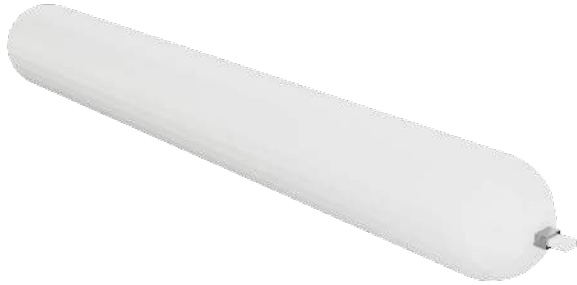
S100

Silicon 10 oz



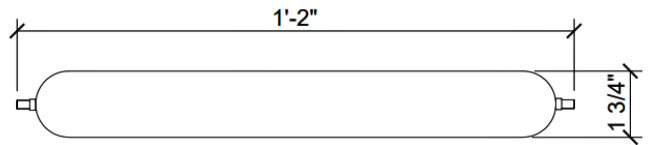
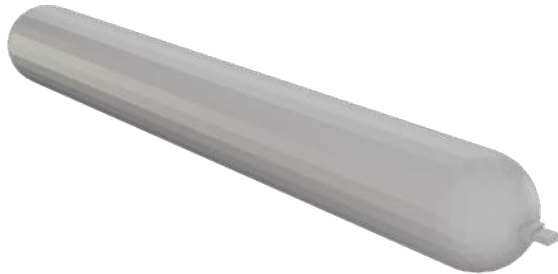
S200

Silicon 20 oz TBD



S400

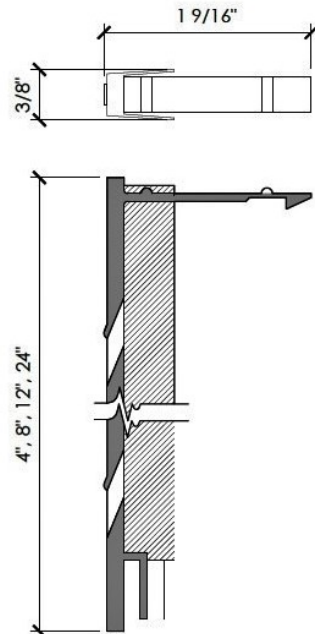
GridLoc Glue



V001-V004

Vertical WB Black

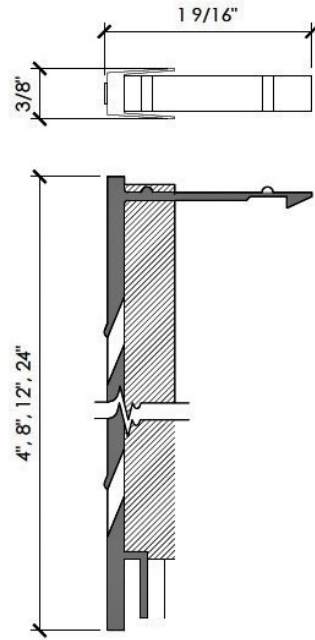
Length: 4" - 12"



V001A-V004A

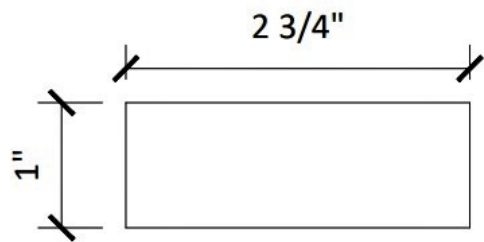
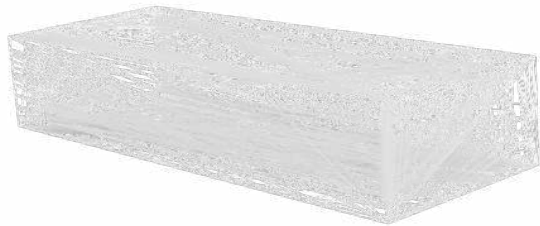
Vertical WB Beige

Length: 4" - 12"



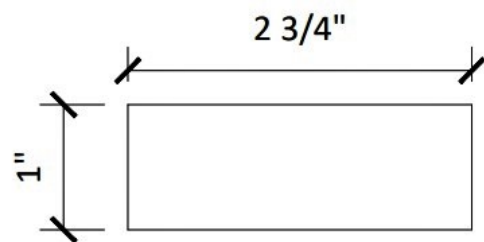
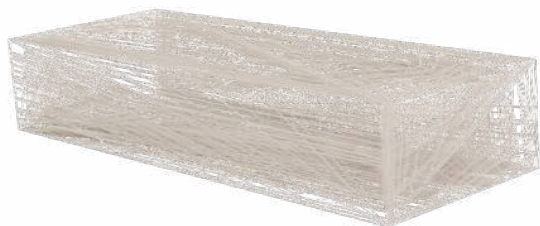
WV001

Weep Vent White



WV002

Weep Vent Tan



WV003

Weep Vent Grey

